



BSB-18
(Blender not included)



Project: _____	AIA# _____
Item #: _____ Qty: _____	SIS# _____
Model #: _____	

Blender Stations

BSA-12, BSA-14, BSA-18, BSB-12, BSB-14, BSB-18

Standard Features

- All stainless steel construction
- One-piece, seamless top and backsplash
- CFC free foamed-in-place blender shelf for sound deadening
- Adjustable stainless steel bullet feet
- 9-1/4" by 11-1/2" by 6" deep sink bowl with hot and cold water gooseneck faucet
- Lift-out plastic perforated sink strainer
- 1" recessed work surface on 'BSB-__' models
- Blender shelf features radius interior corners for easy cleaning
- Power cord access hole with grommet located on front skirt, behind the blender
- Junction box for duplex GFI outlet mounted underneath blender shelf (outlet not included)

NOTE: Blender stations cannot have a speed rail mounted to them. Since speed rails are so common on underbar, blender stations come in 24" and 29" depths to align with underbar that has a speed rail.

Specifications

Drain

- 1-1/2" I.P.S. Threaded drain will fit Dearborn part #8033 slipnut and part #W-573P washer.

Faucet

- Deck mounted on 4" centers, accepts 3/8" sink leads, hot and cold water connections required (except model BSA-12)
- Model BSA-12: Backsplash mounted on 4" centers, hot and cold water connections required

Sink Bowl Dimensions

- 9-1/4" by 11-1/2" by 6" deep

Sink Strainer

- Perforated plastic

Legs

- 1-5/8" diameter, 16 gauge stainless steel
- Stainless steel bullet feet

Materials

- 20 gauge stainless steel



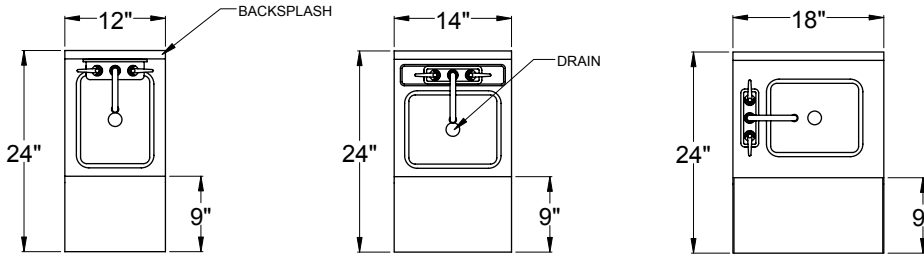
Power cord access hole in front skirt, behind blender

Glastender, Inc. • 5400 North Michigan Road • Saginaw, MI • 48604-9780 989.752.4275 • 800.748.0423 • Fax 989.752.4444 www.glastender.com	Approval/Notes:
Specifications subject to change without notice. For current specifications please visit our website.	

Blender Stations

Dimensional Information

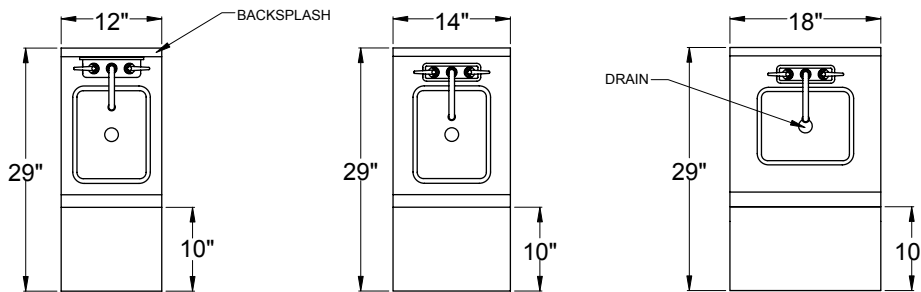
*NOTE: On BSA-18 model only, the faucet will be installed Left or Right to allow it to swivel into an adjacent ice bin for cleaning. If no side is specified, the faucet will be mounted on the Left side.



BSA-12

BSA-14

BSA-18

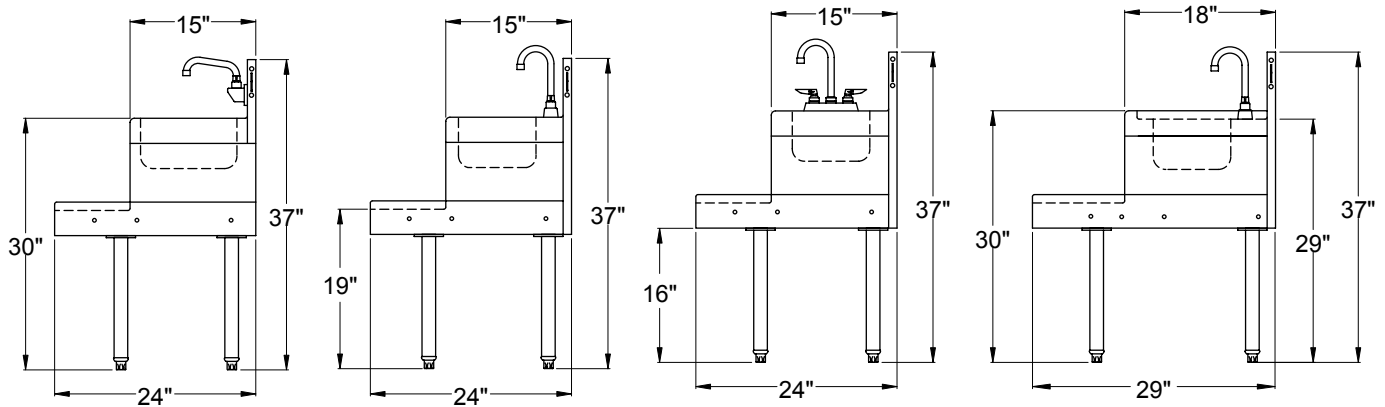


BSB-12

BSB-14

BSB-18

PLAN VIEWS



BSA-12

BSA-14

BSA-18

BSB-12*, BSB-14, BSB-18

*Note: BSB-12 faucet is mounted to backsplash.

SIDE ELEVATIONS



5400 N Michigan Rd • Saginaw, MI • 48604-9780
 989.752.4275 • 800.748.0423 • Fax 989.752.4444
 www.glastender.com

Printed in USA