



Project: _____	AIA# _____
Item #: _____ Qty: _____	SIS# _____
Model #: _____	



C-CBA-36L-ED



Extra Deep Combo Ice Bins

See reverse side for model number key

Standard Features

- Extra deep liner for extra ice capacity
- All stainless steel construction
- PVC plastic breaker strip around ice bin liner acts as a thermal barrier to prevent heat transfer
- CFC free foamed-in-place insulation
- Adjustable thermoplastic bullet feet
- Ten circuit cold plate included
- Backsplash is an open channel to provide access for beverage lines
- Combo Ice Bins combine separate draining ice bin and bottle well compartments into one integral unit. The fully insulated 12" bottle well may be located on the left, right, or both sides of the ice bin.

NOTE: Ice bins intended to store potable ice must be ordered with an ice bin cover to maintain the sanitation listing.

Specifications

Drain

- Bottle well: 1-1/2" tailpiece
- Main liner with ten circuit cold plate: 3/4" MPT

Cold Plate

- Ten circuit
- Connection is 5/16" O.D. stainless steel tubing with swaged end

Liner Depth

- Main liner: 14-1/2"
- Bottle well: 10-1/2"

Legs

- 1-5/8" diameter, 16 gauge stainless steel
- Thermoplastic bullet feet

Materials

- 20 gauge stainless steel
- ABS plastic breaker strip around ice bin liner

Accessories

C-SR-X	Single speed rail, where X is specified as the length in inches.
C-DR-X	Double speed rail, where X is specified as the length in inches.
IBCA-24	24" w ice bin cover for C-CBA-36-ED or C-CBA-48-ED
IBCA-30	30" w ice bin cover for C-CBA-42-ED
IBCA-36	36" w ice bin cover for C-CBA-48L or R-ED
BR3	3 bottle rack placed in bottle well to assist with holding pour and store bottles. Each well may hold two BR3 racks.
CCD	Condiment dispenser
IBD-H-A-ED	Ice bin divider for 19" d (A) extra deep ice bin

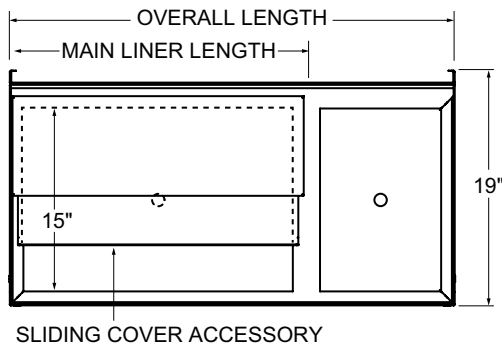
To view cleaning and care instructions, please visit:
http://www.glastender.com/PDF/choice_ss_clean_care.pdf

Glastender, Inc. • 5400 North Michigan Road • Saginaw, MI • 48604-9780 989.752.4275 • 800.748.0423 • Fax 989.752.4444 www.glastender.com	Approval/Notes:
Specifications subject to change without notice. For current specifications please visit our website.	

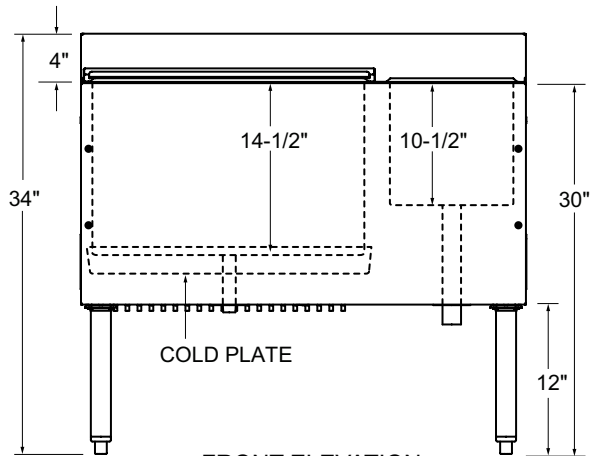
Choice Extra Deep Combo Ice Bins

Dimensional Information

C-CBA-36R-CP10-ED SHOWN

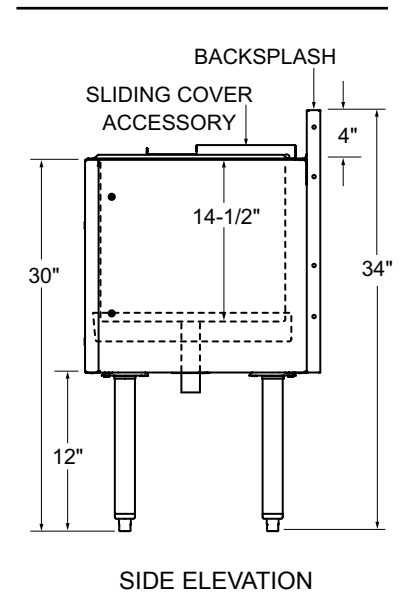


PLAN VIEW



FRONT ELEVATION

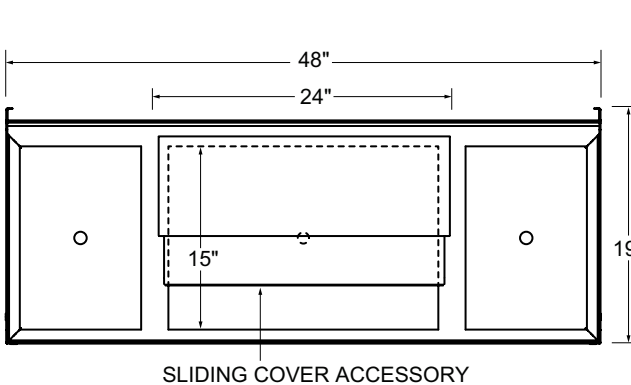
Model Number	Overall Length	Main Liner Length	Bottle Well Location	Potable Ice Capacity	Bottles Stored
C-CBA-36L or R-CP10-ED	36"	24"	Left or Right	92 lbs	6
C-CBA-42L or R-CP10-ED	42"	30"	Left or Right	116 lbs	6
C-CBA-48L or R-CP10-ED	48"	36"	Left or Right	139 lbs	6



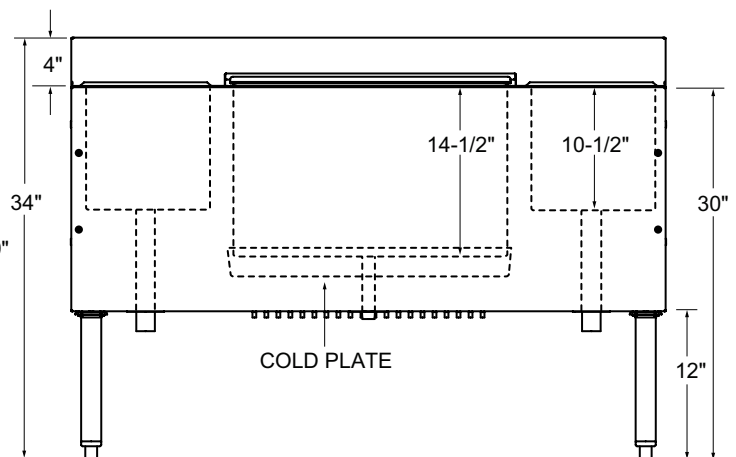
SIDE ELEVATION

C-CBA-48-CP10-ED

Model Number	Overall Length	Main Liner Length	Bottle Well Location	Potable Ice Capacity	Bottles Stored
C-CBA-48-CP10-ED	48"	24"	Left and Right	92 lbs	12



PLAN VIEW



FRONT ELEVATION

