



Project: _____	AIA# _____
Item #: _____ Qty: _____	SIS# _____
Model #: _____	

# Speed Rails & Locking Covers

Model numbers on reverse side

## Standard Features

- All stainless steel construction
- Available in custom lengths up to 72". NOTE: Custom lengths are manufactured to order and are not returnable.
- Single and double step models
- Locking covers are available in custom lengths up to 48". For longer speed rails order two covers at half the length. For double speed rails order two times the number of covers.

## Specifications

### Materials

- 20 gauge stainless steel parts include: steps, rails, and locking cover
- 14 gauge stainless steel parts include: ends



C-SR-18



C-DR-24



C-SRC-18



C-SRC-18  
shown installed  
on speed rail



Intertek

4004503

Conforms to ANSI/NSF STD 2

To view cleaning and care instructions, please visit:  
[http://www.glastender.com/PDF/choice\\_ss\\_clean\\_care.pdf](http://www.glastender.com/PDF/choice_ss_clean_care.pdf)

<b>Glastender, Inc.</b> • 5400 North Michigan Road • Saginaw, MI • 48604-9780 989.752.4275 • 800.748.0423 • Fax 989.752.4444 <a href="http://www.glastender.com">www.glastender.com</a>	Approval/Notes:
<small>Specifications subject to change without notice. For current specifications please visit our website.</small>	

# Choice Speed Rails & Locking Covers

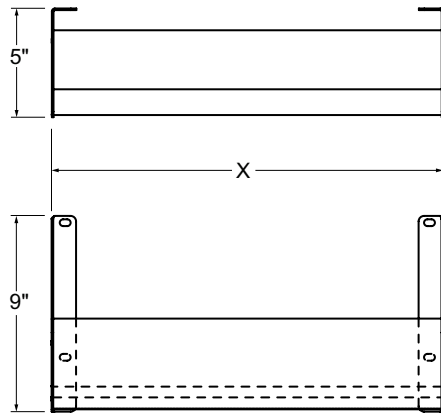
## Dimensional Information

### C-SR

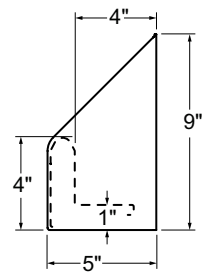
PLAN VIEW

Model C-SR-18 shown

Model Number	X =
C-SR-12	12"
C-SR-18	18"
C-SR-24	24"
C-SR-30	30"
C-SR-36	36"
C-SR-42	42"
C-SR-48	48"
C-SR-54	54"
C-SR-60	60"
C-SR-66	66"
C-SR-72	72"



FRONT VIEW



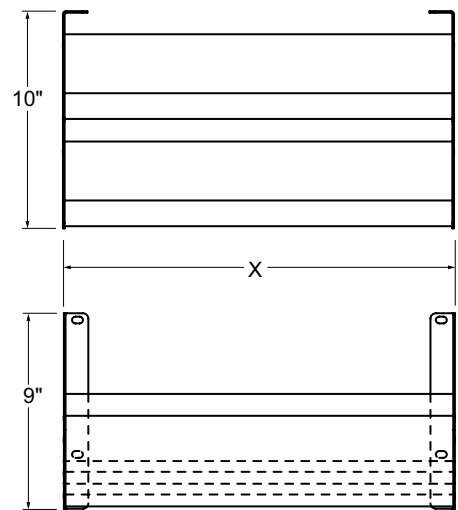
SIDE VIEW

### C-DR

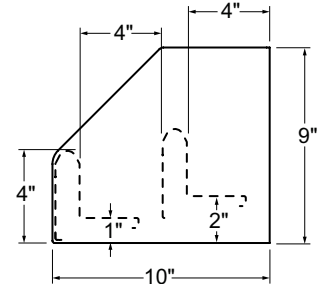
Model C-DR-18 shown

PLAN VIEW

Model Number	X =
C-DR-12	12"
C-DR-18	18"
C-DR-24	24"
C-DR-30	30"
C-DR-36	36"
C-DR-42	42"
C-DR-48	48"
C-DR-54	54"
C-DR-60	60"
C-DR-66	66"
C-DR-72	72"



FRONT VIEW

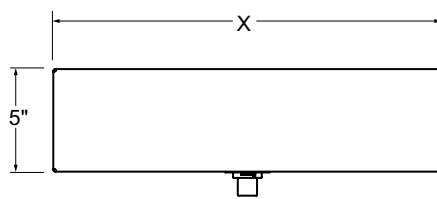


SIDE VIEW

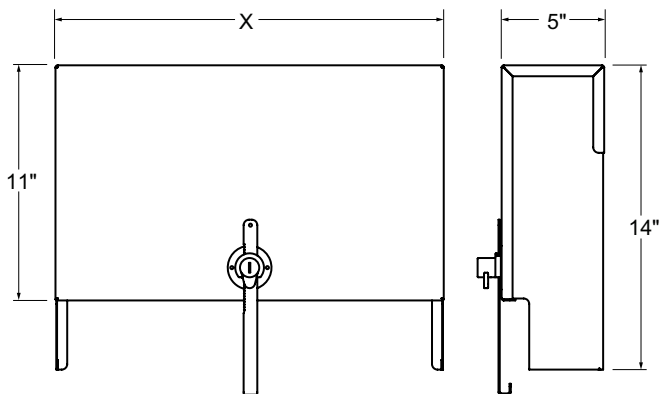
### C-SRC

Model C-SRC-18 shown

Model Number	X =
C-SRC-12	12"
C-SRC-18	18"
C-SRC-24	24"
C-SRC-30	30"
C-SRC-36	36"
C-SRC-42	42"
C-SRC-48	48"



PLAN VIEW



FRONT VIEW

SIDE VIEW

