



C-FBB-24



Intertek

4004503

Conforms to ANSI/NSF STD 2

Project: _____	AIA# _____
Item #: _____ Qty: _____	SIS# _____
Model #: _____	

Filler Boards

C-FBA-18, C-FBA-24, C-FBB-18, C-FBB-24

Standard Features

- All stainless steel construction
- Adjustable thermoplastic bullet feet
- One-piece seamless top and backsplash

Product Information

Choice Filler Boards are constructed of all stainless steel and include a flat work surface for situations where a draining work surface is not desired. Filler boards are not typically used for glass storage, but are more commonly used as a place to set a printer, POS system, or cash drawer.

Specifications

Legs

- 1-5/8" diameter, 16 gauge stainless steel
- Thermoplastic bullet feet

Materials

- 20 gauge stainless steel

Accessories

C-SR-18	18" single speed rail
C-SR-24	24" single speed rail
C-SR-30	30" single speed rail
C-DR-18	18" double speed rail
C-DR-24	24" double speed rail
C-LSA-F	Left side splash for C-FBA models
C-RSA-F	Right side splash for C-FBA models
C-LSB-F	Left side splash for C-FBB models
C-RSB-F	Right side splash for C-FBB models

To view cleaning and care instructions, please visit:
http://www.glastender.com/PDF/choice_ss_clean_care.pdf

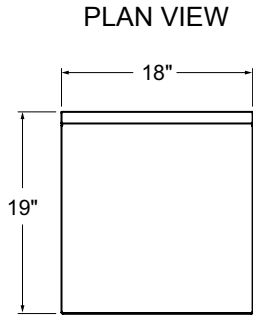
Glastender, Inc. • 5400 North Michigan Road • Saginaw, MI • 48604-9780 989.752.4275 • 800.748.0423 • Fax 989.752.4444 www.glastender.com	Approval/Notes:
<small>Specifications subject to change without notice. For current specifications please visit our website.</small>	

Choice Filler Boards

Dimensional Information

"A" Depth-19" Deep Models

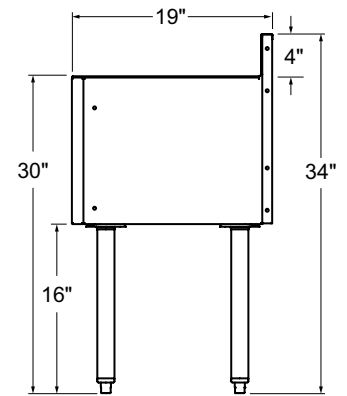
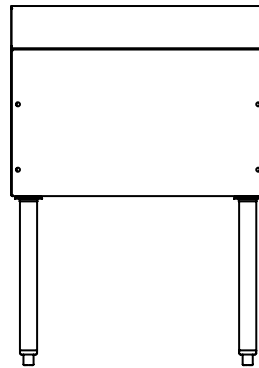
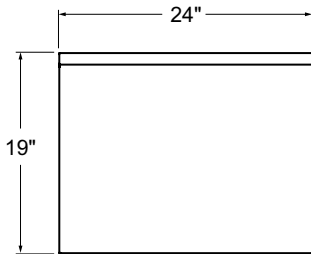
C-FBA-18



FRONT VIEW

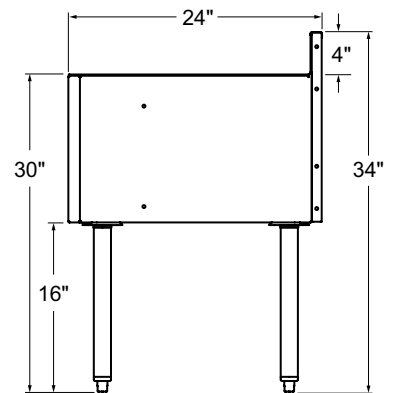
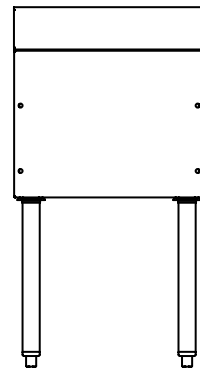
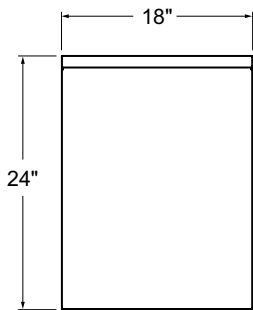
SIDE VIEW

C-FBA-24



"B" Depth-24" Deep Models

C-FBB-18



C-FBB-24

