



Project: _____	AIA# _____
Item #: _____ Qty: _____	SIS# _____
Model #: _____	

Corner Filler Boards

C-FIB-5, C-FIB-10, C-FIB-15, C-FIB-20, C-FIB-25, C-FIB-30



C-FIB-15

Standard Features

- All stainless steel construction
- Designed to mount between two adjacent pieces of Choice underbar equipment



Intertek
4004503
Conforms to ANSI/NSF STD 2

Specifications

Materials

- 20 gauge stainless steel

Product Information

Corner filler boards are all 24" deep and available for small degree inside turns. Corner filler boards are designed to mount between two pieces of Choice underbar. However, corner filler boards can be used to mount between any two stable vertical surfaces. Corners should not be mounted to objects that are mobile or on casters.

Because they are small and intended to mount between two vertical surfaces, corner filler boards do not come with legs or have optional legs available. If one side of the flat top corner filler does not have a vertical surface on which to mount, the end user must ensure the one adjoining surface is secure and stable.

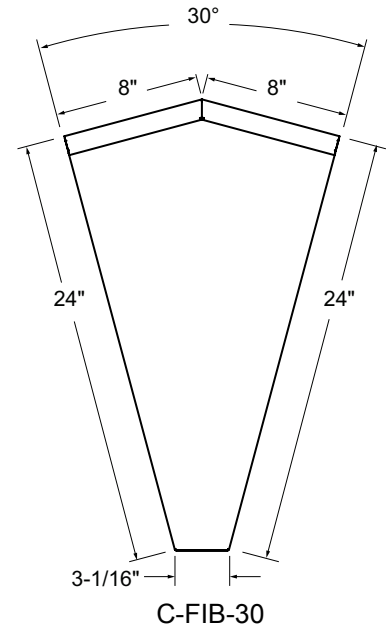
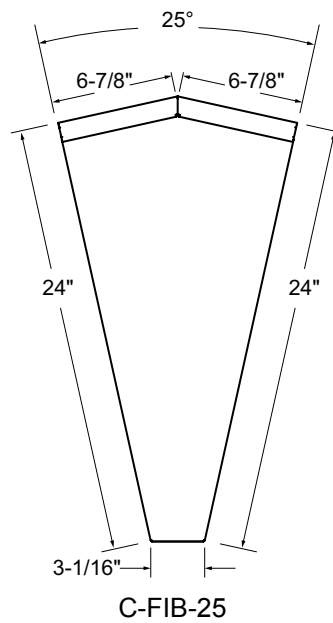
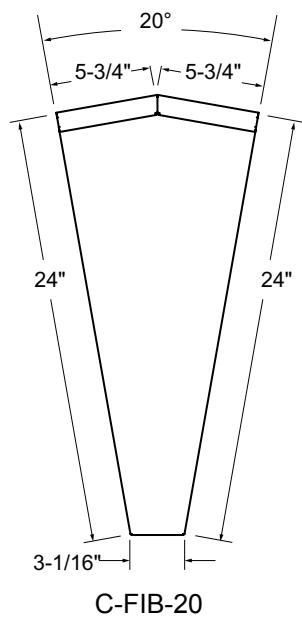
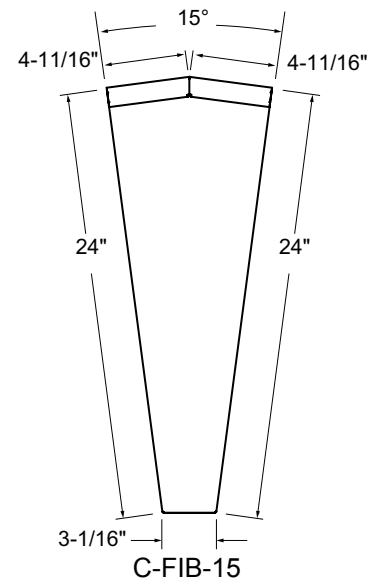
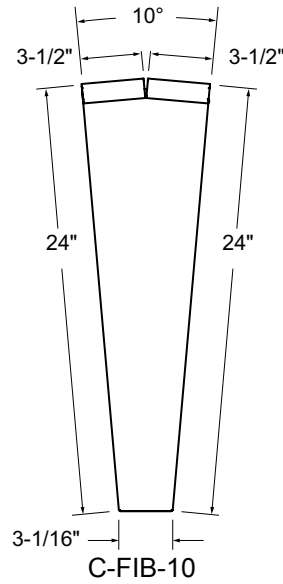
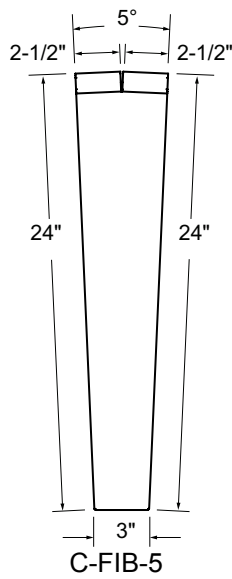
To view cleaning and care instructions, please visit:
http://www.glastender.com/PDF/choice_ss_clean_care.pdf

Glastender, Inc. • 5400 North Michigan Road • Saginaw, MI • 48604-9780 989.752.4275 • 800.748.0423 • Fax 989.752.4444 www.glastender.com	Approval/Notes:
Specifications subject to change without notice. For current specifications please visit our website.	

Choice Filler Board Corners

Dimensional Information

PLAN VIEWS



SIDE VIEW

