



Project: _____	AIA# _____
Item #: _____ Qty: _____	SIS# _____
Model #: _____	

Two, Three, & Four Compartment Sinks

See reverse side for model numbers



C-TSA-60



Intertek

4004503

Conforms to ANSI/NSF STD 2

★ All faucets are NSF/ANSI 61, Annex G low lead compliant

Specifications

Drain

- 1-1/2" I.P.S. Threaded drain will fit Dearborn part #8033 slipnut and part #W-573P washer.

Faucet

- "A" - 19" deep: backsplash mounted on 4" centers, 3/8" copper leads provided, hot and cold water connections required
- "B" - 24" deep: deck mounted on 4" centers, accepts 3/8" sink leads, hot and cold water connections required

Sink Bowl Dimensions

- 11" by 14" by 10-1/4" deep

Legs

- 1-5/8" diameter, 16 gauge stainless steel
- Thermoplastic bullet feet

Materials

- 20 gauge stainless steel parts include: all components unless otherwise noted

To view cleaning and care instructions, please visit:
http://www.glastender.com/PDF/choice_ss_clean_care.pdf

Standard Features

- All stainless steel construction and adjustable thermoplastic bullet feet
- One-piece seamless top and backsplash featuring 1/4" radius corners for easy cleaning
- 20 gauge stainless steel fabricated sink bowls
- 11" by 14" by 10-1/4" deep sink bowl with hot and cold water faucet
- Extra wide sink bowl easily accommodates brush washer
- Perforated stainless steel inserts are available to cover sinks when not in use
- One over-flow tube per sink bowl included

Product Information

Multiple Sinks come in three different varieties: two, three, and four compartment. They feature a one-piece stainless steel top that is seamless all the way through the backsplash. Each variety is offered with or without built-in drainboards on one or both sides of the sink compartment. The corrugated drainboards, where included, are a seamless and integral part of the work surface. The seamless welded bowls are 20 gauge fabricated stainless steel. An 'L' or 'R' suffix in the model number designates the location of the sink compartment as left or right when there is only one drainboard.

Accessories

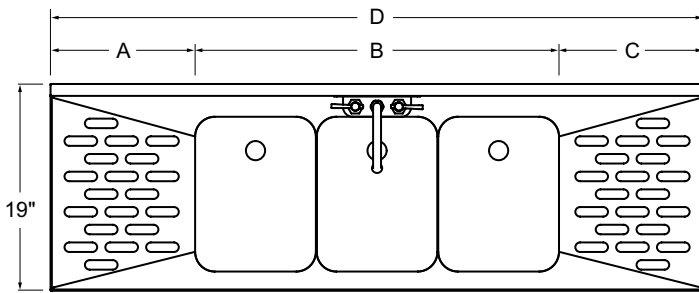
C-SR-X	Single speed rail, where X is specified as the length in inches
C-DR-X	Double speed rail, where X is specified as the length in inches
NOTE: For 84" sink specify two 42" speed rails or for 96" sink specify two 48" speed rails.	
C-LSA-D	Left side splash for 19" (A) deep models
C-RSA-D	Right side splash for 19" (A) deep models
C-LSB-D	Left side splash for 24" (B) deep models
C-RSB-D	Right side splash for 24" (B) deep models
TR	Towel ring
LWS	Large wet waste strainer, plastic
03002552	Sink cover, perforated, for C-DS models
03002553	Sink cover, perforated, for C-TS models
03002554	Sink cover, perforated, for C-FS models

Glastender, Inc. • 5400 North Michigan Road • Saginaw, MI • 48604-9780 989.752.4275 • 800.748.0423 • Fax 989.752.4444 www.glastender.com	Approval/Notes:
Specifications subject to change without notice. For current specifications please visit our website.	

Choice Two, Three, & Four Compartment Sinks

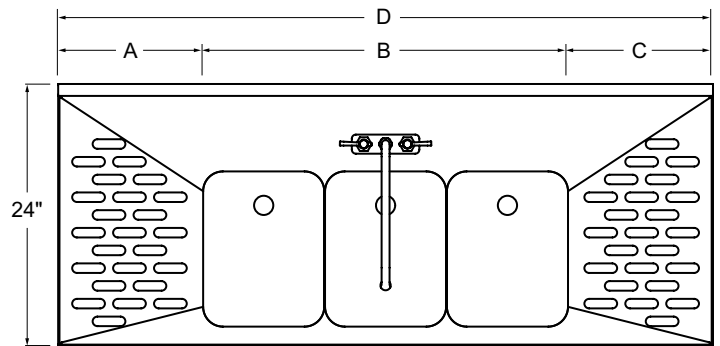
Dimensional Information

"A" Depth-19" Deep Models



PLAN VIEW

"B" Depth-24" Deep Models

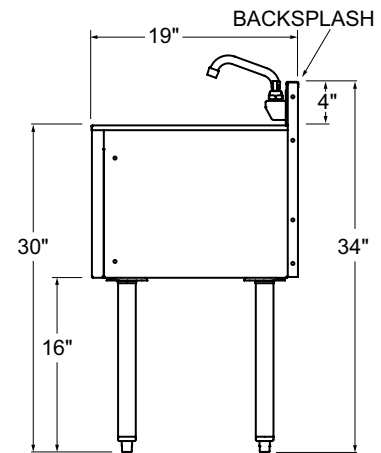


PLAN VIEW

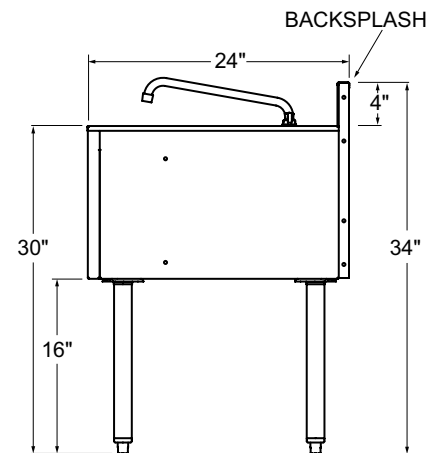
Number of sink bowls and location of sinks will vary according to the model, see the table below for exact specifications. Four bowl sink faucets feature a double joint spout. Three bowl sink model shown.

"A" Depth-19" Deep Models

19" Deep Models	24" Deep Models	A	B	C	D	No. of Sink Bowls	Sink Location
C-DSA-24	C-DSB-24	N/A	24"	N/A	24"	2	Center
C-DSA-36L	C-DSB-36L	N/A	24"	12"	36"	2	Left
C-DSA-36R	C-DSB-36R	12"	24"	N/A	36"	2	Right
C-DSA-48	C-DSB-48	12"	24"	12"	48"	2	Center
C-TSA-36	C-TSB-36	N/A	36"	N/A	36"	3	Center
C-TSA-48L	C-TSB-48L	N/A	36"	12"	48"	3	Left
C-TSA-48R	C-TSB-48R	12"	36"	N/A	48"	3	Right
C-TSA-60	C-TSB-60	12"	36"	12"	60"	3	Center
C-TSA-72	C-TSB-72	18"	36"	18"	72"	3	Center
C-TSA-84	C-TSB-84	24"	36"	24"	84"	3	Center
C-TSA-96	C-TSB-96	30"	36"	30"	96"	3	Center
C-FSA-48	C-FSB-48	N/A	48"	N/A	48"	4	Center
C-FSA-60L	C-FSB-60L	N/A	48"	12"	60"	4	Left
C-FSA-60R	C-FSB-66R	12"	48"	N/A	60"	4	Right
C-FSA-72	C-FSB-72	12"	48"	12"	72"	4	Center
C-FSA-84	C-FSB-84	18"	48"	18"	84"	4	Center
C-FSA-96	C-FSB-96	24"	48"	24"	96"	4	Center



SIDE ELEVATION



SIDE ELEVATION

"B" Depth-24" Deep Models

