



Project: _____	AIA# _____
Item #: _____ Qty: _____	SIS# _____
Model #: _____	

# Combo Ice Bins

See reverse side for model number key



CBA-36R-CP10

## Standard Features

- All stainless steel construction
- One-piece, seamless top and backsplash
- ABS plastic breaker strip around ice bin liner: creates 5/16" raised edge around liner, acts as thermal barrier to prevent heat transfer, and makes the cover slide easier
- Two tubing chase holes built-in to backsplash
- Available in 6" incremental lengths from 30" to 60"
- 24" deep version provides larger ice bin not just a deck extension on the back of the 19" deep model
- Sliding stainless steel cover
- CFC free foamed-in-place insulation
- Adjustable stainless steel bullet feet
- Ten circuit cold plate is available on units where the main ice bin liner is 22" or wider (add suffix '-CP10' to model number)
- Combo Ice Bins combine separate draining ice bin and bottle well compartments into one integral unit. The fully insulated 12" bottle well comes with two wire racks for ice chilled storage of 6 or 8 bottles in 19" or 24" deep ice bins, respectively. The bottle well may be located on the left, right, or both sides of the ice bin.

NOTE: Combo Ice Bins are not recommended for dry, room temperature storage of bottles - instead, higher bottle capacity Liquor Displays (see page 3.23) should be ordered



## Specifications

### Drain

- Non-cold plate model: 1-1/2" tailpiece
- Ten circuit cold plate model: 3/4" MPT

### Tubing Access Holes

- 7/8" by 2-7/8" (capacity per hole is 12 lines of 1/4" I.D. x 3/8" O.D. nylon braided tubing)

### Cover

- Two-piece sliding cover, 20 gauge stainless steel, included with all models

### Cold Plate

- Ten circuit available for 22" wide (main liner) and larger models only
- Connection is 5/16" O.D. stainless steel tubing with swaged end

### Liner Depth

- 10-1/2" standard
- 14-1/2" extra deep

### Ice Capacity

- "A" depth standard = 2.79 lbs X length
- "A" depth extra deep = 3.85 lbs X length
- "B" depth standard = 3.54 lbs X length
- "B" depth extra deep = 4.89 lbs X length

### Legs

- 1-5/8" diameter 16 gauge stainless steel
- Stainless steel bullet feet

### Materials

- 20 gauge stainless steel
- ABS plastic breaker strip around opening of ice bin liner

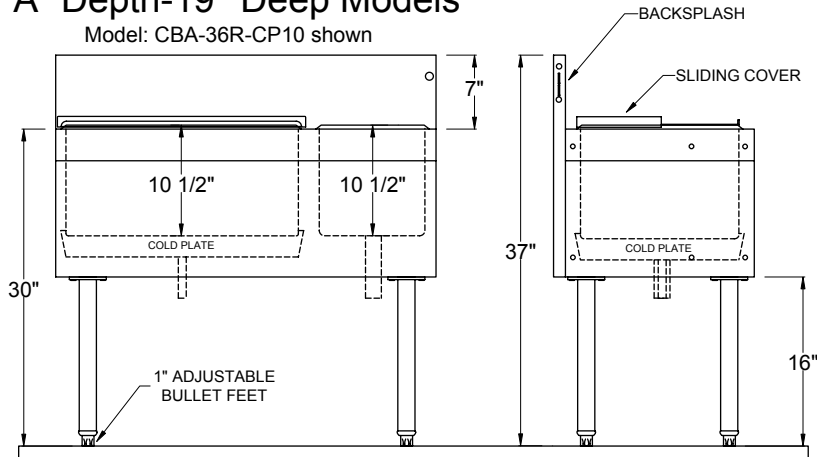
<b>Glastender, Inc.</b> • 5400 North Michigan Road • Saginaw, MI • 48604-9780 989.752.4275 • 800.748.0423 • Fax 989.752.4444 <a href="http://www.glastender.com">www.glastender.com</a>	Approval/Notes:
Specifications subject to change without notice. For current specifications please visit our website.	

# Combo Ice Bins

## Dimensional Information

### "A" Depth-19" Deep Models

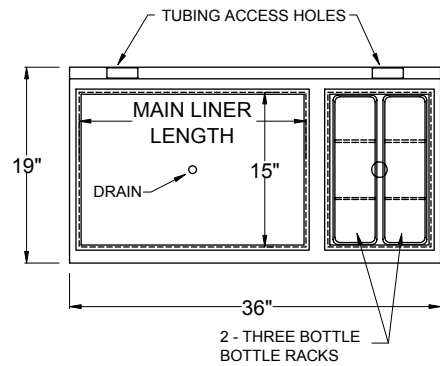
Model: CBA-36R-CP10 shown



Front Elevation

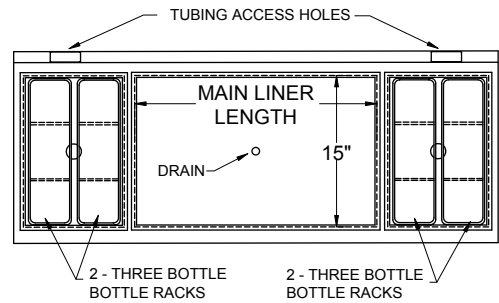
Side Elevation

Model Number	Overall Length	Main Liner length	Bottle Well Location	Optional Cold Plate
CBA-30 L or R	30"	16"	Left or Right	N/A
CBA-36 L or R	36"	22"	Left or Right	CP10
CBA-42	42"	16"	Left and Right	N/A
CBA-42 L or R	42"	28"	Left or Right	CP10
CBA-48	48"	22"	Left and Right	CP10
CBA-48 L or R	48"	34"	Left or Right	CP10
CBA-54	54"	28"	Left and Right	CP10
CBA-60	60"	34"	Left and Right	CP10



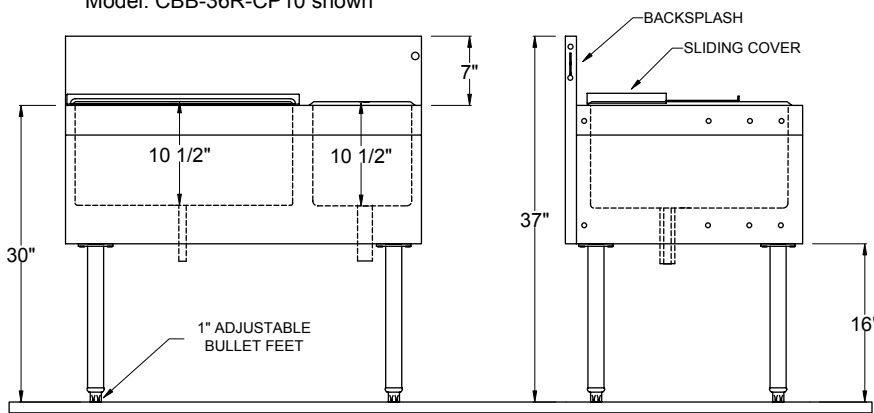
Plan View

Plan view detailing two bottle well models  
Model: CBA-48-CP10 shown



### "B" Depth-24" Deep Models

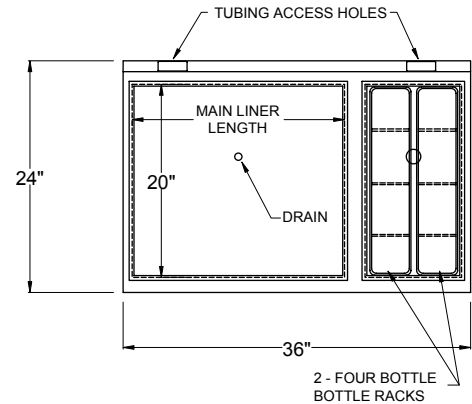
Model: CBB-36R-CP10 shown



Front Elevation

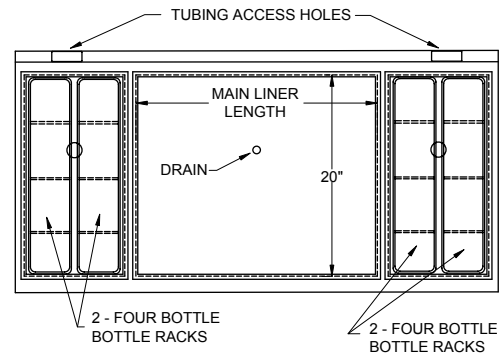
Side Elevation

Model Number	Overall Length	Main Liner length	Bottle Well Location	Optional Cold Plate
CBB-30 L or R	30"	16"	Left or Right	N/A
CBB-36 L or R	36"	22"	Left or Right	CP10
CBB-42	42"	16"	Left and Right	N/A
CBB-42 L or R	42"	28"	Left or Right	CP10
CBB-48	48"	22"	Left and Right	CP10
CBB-48 L or R	48"	34"	Left or Right	CP10
CBB-54	54"	28"	Left and Right	CP10
CBB-60	60"	34"	Left and Right	CP10



Plan View

Plan view detailing two bottle well models  
Model: CBB-48-CP10 shown



5400 N Michigan Rd • Saginaw, MI • 48604-9780  
989.752.4275 • 800.748.0423 • Fax 989.752.4444  
www.glastender.com