

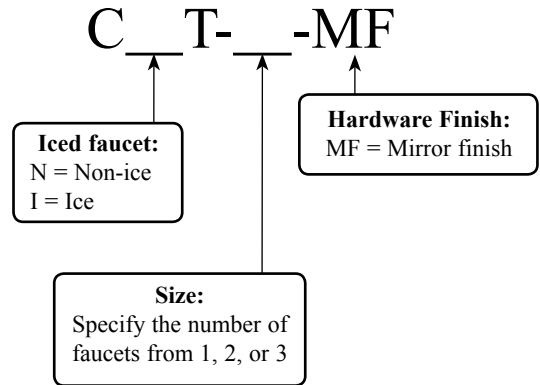


|                          |            |
|--------------------------|------------|
| Project: _____           | AIA# _____ |
| Item #: _____ Qty: _____ | SIS# _____ |
| Model #: _____           |            |

# Cobra Towers

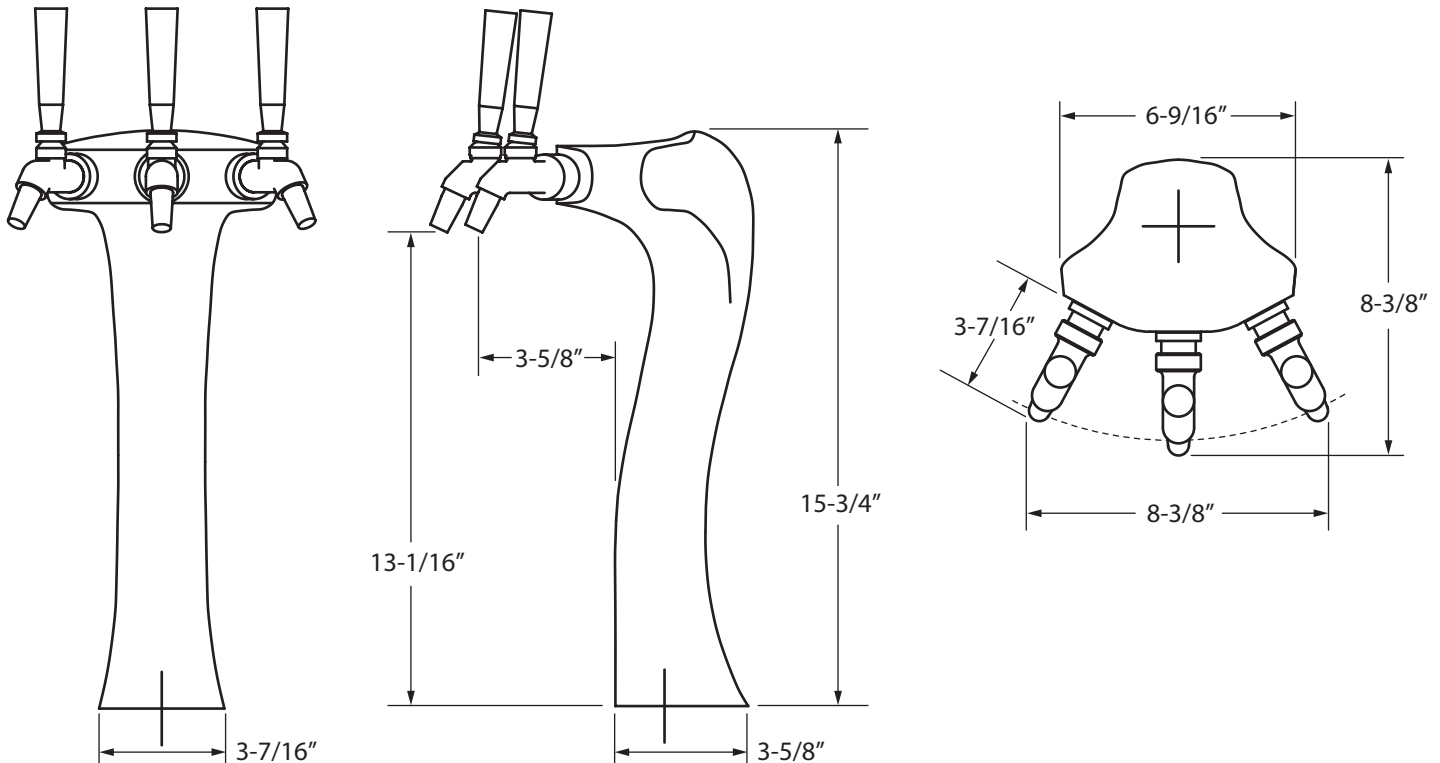


CNT-3-MF



Towers supplied with US style stainless steel faucets.  
*NOTE: Faucet handles not included.*

## Dimensional Information



|  |                        |
|--|------------------------|
| <p><b>Glastender, Inc.</b> • 5400 North Michigan Road • Saginaw, MI • 48604-9780<br/>         989.752.4275 • 800.748.0423 • Fax 989.752.4444<br/> <a href="http://www.glastender.com">www.glastender.com</a></p> | <p>Approval/Notes:</p> |
| <p style="font-size: small;">Specifications subject to change without notice. For current specifications please visit our website.</p>   |                        |