

Project: _____	AIA# _____
Item #: _____ Qty: _____	SIS# _____
Model #: _____	

## Countertop Merchandiser



CM24XX-RR

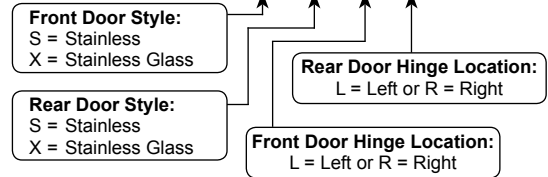


NSF standard 7 listed for open food storage



**Intertek**  
Conforms to ANSI/UL STD 471  
Certified to CSA STD C22.2 No. 120

### CM24



### Standard Features

- Self-contained forced air refrigeration system for uniform cooling of product
- Automatic condensate evaporator
- Digital thermostat with automatic defrost
- All stainless steel interior construction
- Stainless steel exterior construction with galvanized steel bottom
- CFC free foamed-in-place insulation
- Removable condenser air inlet filter for easy cleaning
- Six-foot grounded cord and plug provided
- Available with stainless steel door or glass door with stainless steel frame
- Interior LED light included
- 4" adjustable legs available for countertop installation

### Specifications

#### Electrical

- 120V, 1 phase, 60 Hz, 5.5 full load amps
- Separate 15 amp circuit is required
- Includes a 6-foot grounded cord
- Available with 220V, 1 phase, 50Hz electrical

#### Refrigeration

- 1/4 HP, R134a refrigerant

#### Plumbing

- Automatic condensate evaporator. No drain connection required.

#### Capacity

- Interior Dimensions: 21"W x 23"H x 17"D
- 4.7 cubic feet of storage space

#### Operating Range

- 34°F (1°C) to 40°F (4°C)

#### Shelving

- Two adjustable coated shelves included

#### Legs (Optional)

- 4" adjustable legs

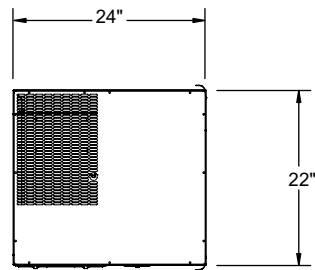
#### Materials

- 22 gauge stainless steel parts include: interior and exterior sides
- 20 gauge stainless steel parts include: doors and condensing unit compartment cover
- 16 gauge galvanized steel parts include: condensing unit floor and exterior bottom

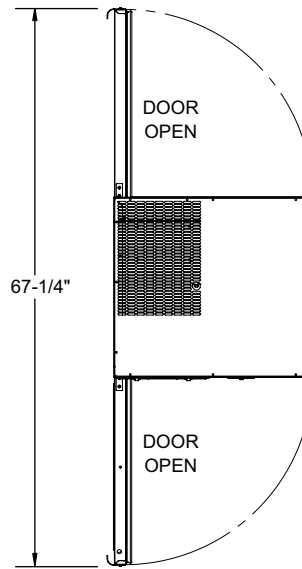
<b>Glastender, Inc.</b> • 5400 North Michigan Road • Saginaw, MI • 48604-9780 989.752.4275 • 800.748.0423 • Fax 989.752.4444 <a href="http://www.glastender.com">www.glastender.com</a>	Approval/Notes:
Specifications subject to change without notice. For current specifications please visit our web site.	

# Countertop Merchandiser

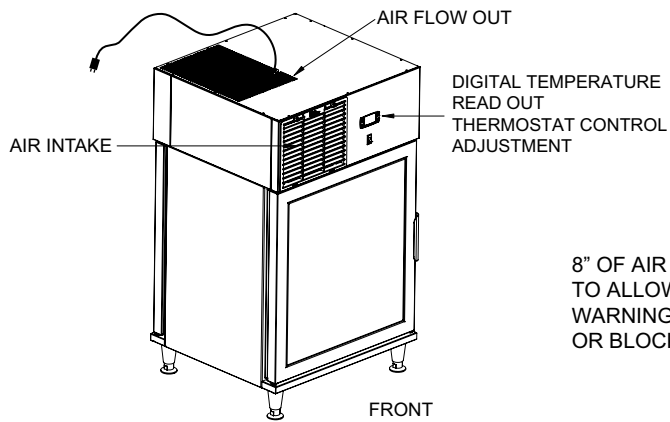
## Dimensional Information



FRONT

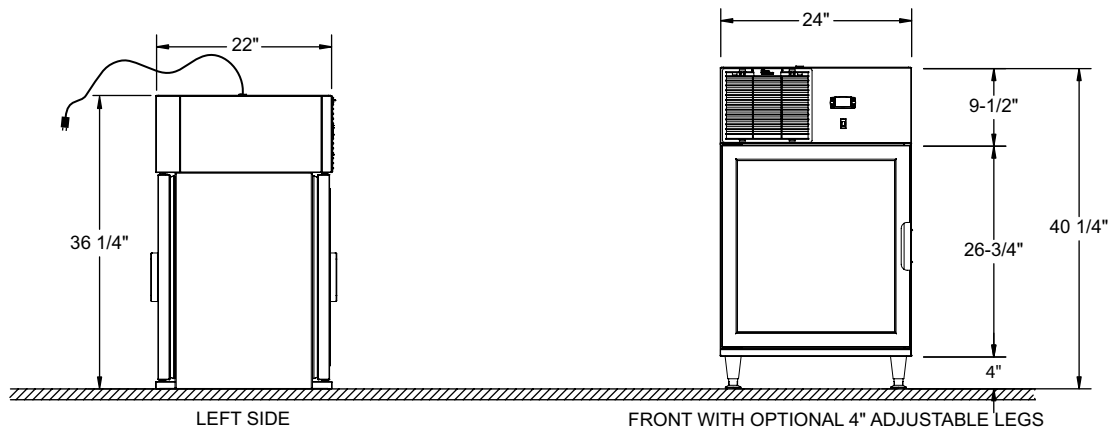


## PLAN VIEWS



8" OF AIR SPACE IS REQUIRED ABOVE UNIT TO ALLOW FOR AIR FLOW OUT  
WARNING: COMPRESSOR FAILURE DUE TO RESTRICTION OR BLOCKAGE OF AIR FLOW WILL VOID WARRANTY.

## ISOMETRIC VIEWS



## ELEVATION VIEWS



5400 North Michigan Road • Saginaw, MI • 48604-9780  
989.752.4275 • 800.748.0423 • Fax 989.752.4444  
www.glastender.com

Printed in USA