

Project: _____	AIA# _____
Item #: _____ Qty: _____	SIS# _____
Model #: _____	

Column Towers



CT-3-SS

NOTE: Faucet handles not included.

CT-__-__

Size:
Specify the number of faucets from 1 to 3.

Finish:
SS = Stainless steel
MF = Mirror finish
PB = Polished brass

Standard Features

- All stainless steel construction (brass is optional)
- Integral surface mount drain pan with lift-out perforated inserts
- 1/4" shanks with 3/16" restriction lines
- Available in grainline stainless, mirror finish stainless, or polished brass
- Available with foamed-in-place cold plate assembly for recirculating system
- Available without drain pan (specify suffix '-LD' on the model number)
- Available with one, two, or three faucets
- Stainless and mirror finish models include all stainless steel faucets and shanks
- Available with wine faucets (specify number and location when ordering)
- Unique internal support system for solid mounting
- Base plate serves as template for hole cutting

Specifications

Drains

- Drain pan models - 1/2" tailpiece

Materials

- 20 gauge stainless steel or brass parts include: head, column, drain pan, and perforated inserts
- 16 gauge stainless steel parts include: inner column stiffener brackets
- 16 gauge galvanized steel parts include: base plate and faucet stiffeners
- 11 gauge stainless steel parts include: inner column base plate

Shank Sizes

- 1/4" I.D. with 3/16" fittings

Glastender, Inc. • 5400 North Michigan Road • Saginaw, MI • 48604-9780
989.752.4275 • 800.748.0423 • Fax 989.752.4444
www.glastender.com

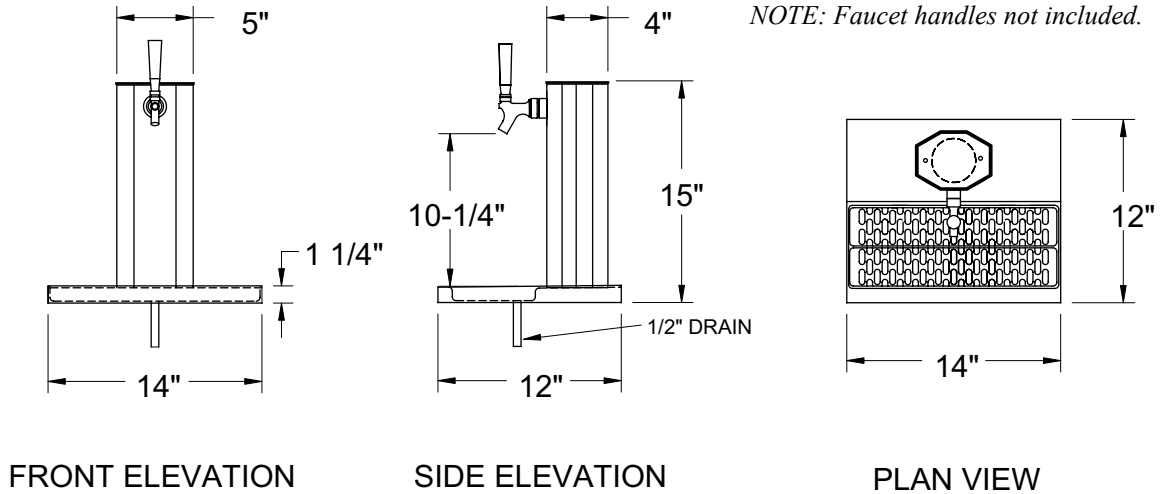
Approval/Notes:

Specifications subject to change without notice. For current specifications please visit our website.

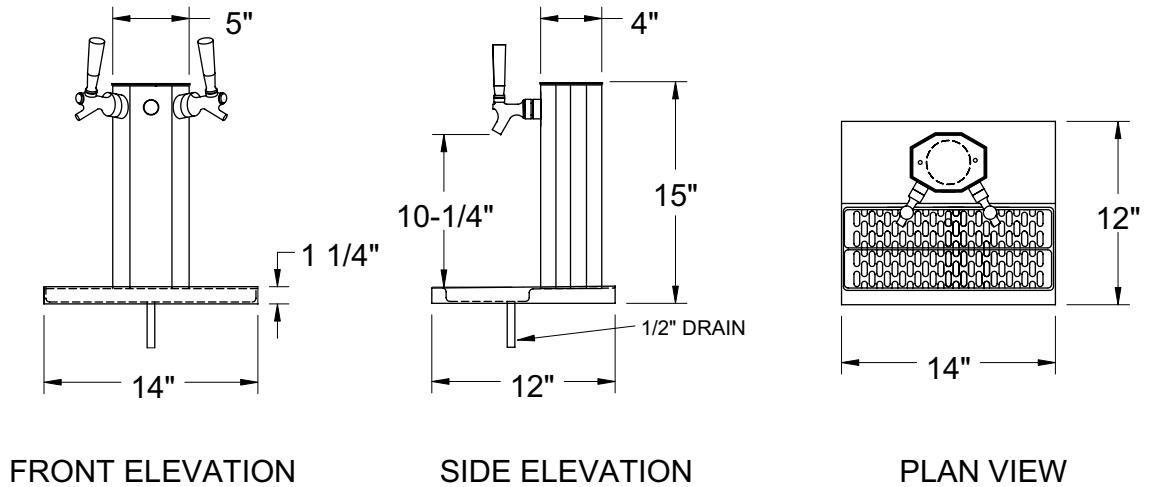
Column Towers

Dimensional Information

ONE FAUCET TOWER



TWO FAUCET TOWER



THREE FAUCET TOWER

