



Project: _____	AIA# _____
Item #: _____ Qty: _____	SIS# _____
Model #: _____	

Clip-On Wet Wastes

CWET-24 or CWET-30

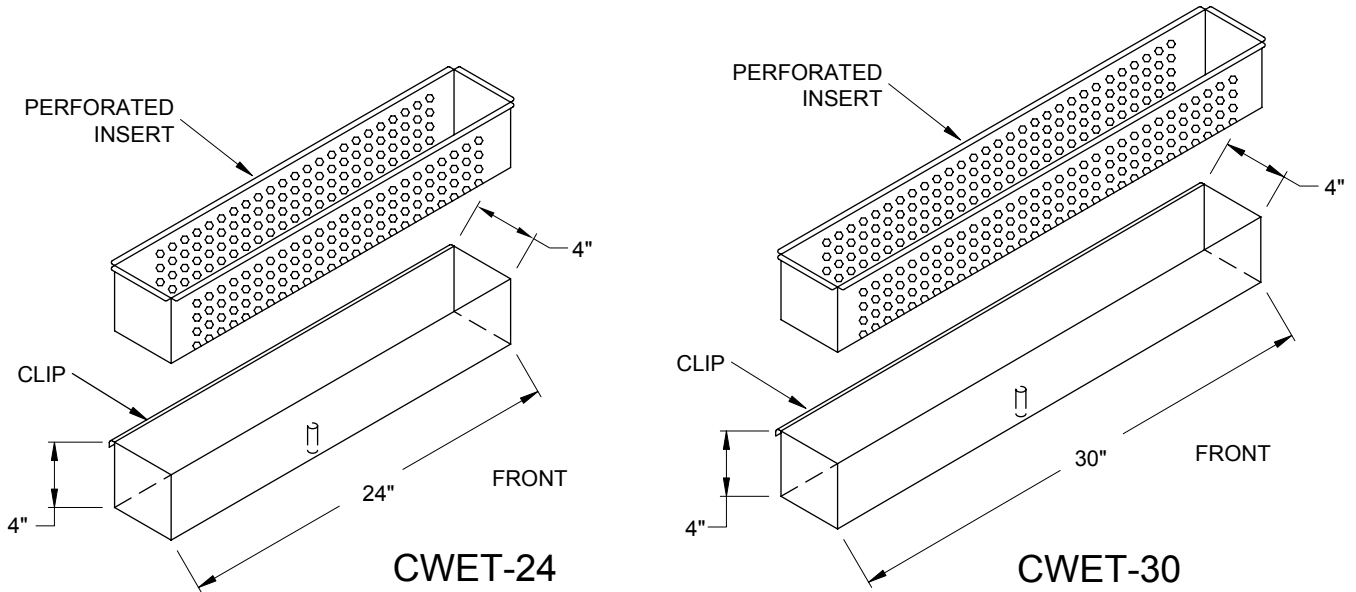
Standard Features

- Designed to clip on to the front or side of the GT-24 or GT-30
- Constructed of 18 ga. stainless steel
- Includes removable stainless steel perforated insert
- 1/2" welded tailpiece drain



CWET-24
(shown installed to the front of a GT-24-CCW)

Dimensional Information



Glastender, Inc. • 5400 North Michigan Road • Saginaw, MI • 48604-9780 989.752.4275 • 800.748.0423 • Fax 989.752.4444 www.glastender.com	Approval/Notes:
Specifications subject to change without notice. For current specifications please visit our website.	