



DBA-18 with SSR-18



Project: _____	AIA# _____
Item #: _____ Qty: _____	SIS# _____
Model #: _____	

# Drainboards

See reverse side for model number key

## Standard Features

- All stainless steel construction
- Adjustable stainless steel bullet feet
- Exclusive design with drain pan and separate perforated insert for better air circulation
- One piece, seamless top and backsplash featuring 1/4" radius corners for easy cleaning
- Standard models available in 6" incremental lengths from 12" to 48" (Custom sizes also available)
- 24" deep models provide a larger drainboard storage area not just a deck extension on the back of 19" deep model
- All storage is on a level plane
- A 4" by 4" by 6-1/2" high tubing chase is available. Specify model number "TC" as an accessory
- Also available with flat stainless steel fillerboard top in lieu of drainboard top. Substitute an "F" for the "D" in the model number when ordering

## Specifications

*Drain*

- 1 1/2" I.P.S. Threaded drain will fit Dearborn part #8033 slipnut and part #W-573P washer

*Legs*

- 1-5/8" diameter, 16 gauge stainless steel
- Stainless steel bullet feet

*Materials*

- 20 gauge stainless steel

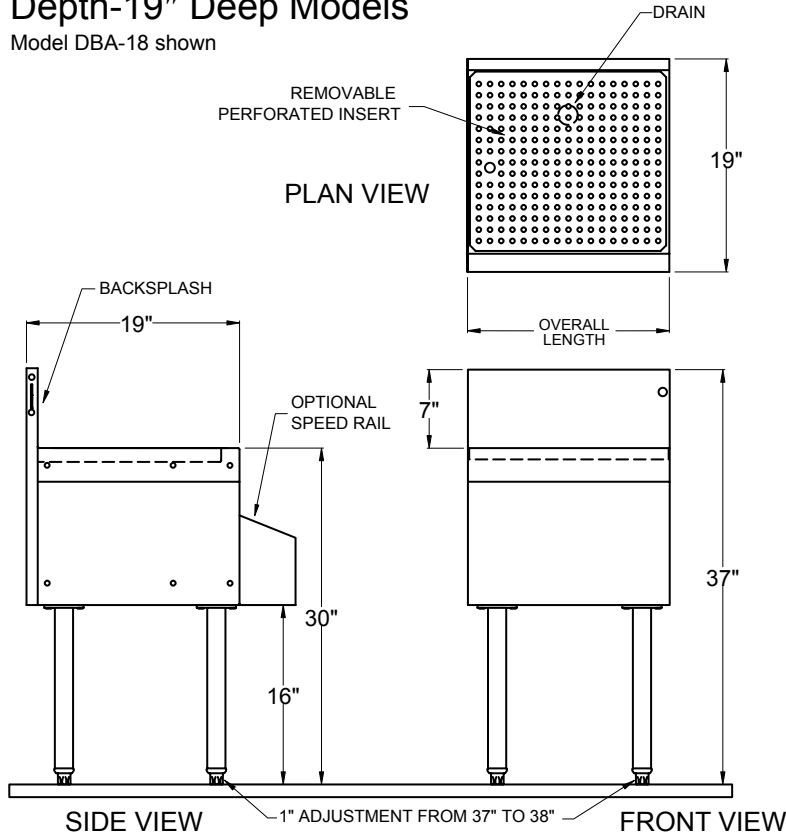
<b>Glastender, Inc.</b> • 5400 North Michigan Road • Saginaw, MI • 48604-9780 989.752.4275 • 800.748.0423 • Fax 989.752.4444 <a href="http://www.glastender.com">www.glastender.com</a>	Approval/Notes:
Specifications subject to change without notice. For current specifications please visit our website.	

# Drainboards

## Dimensional Information

### "A" Depth-19" Deep Models

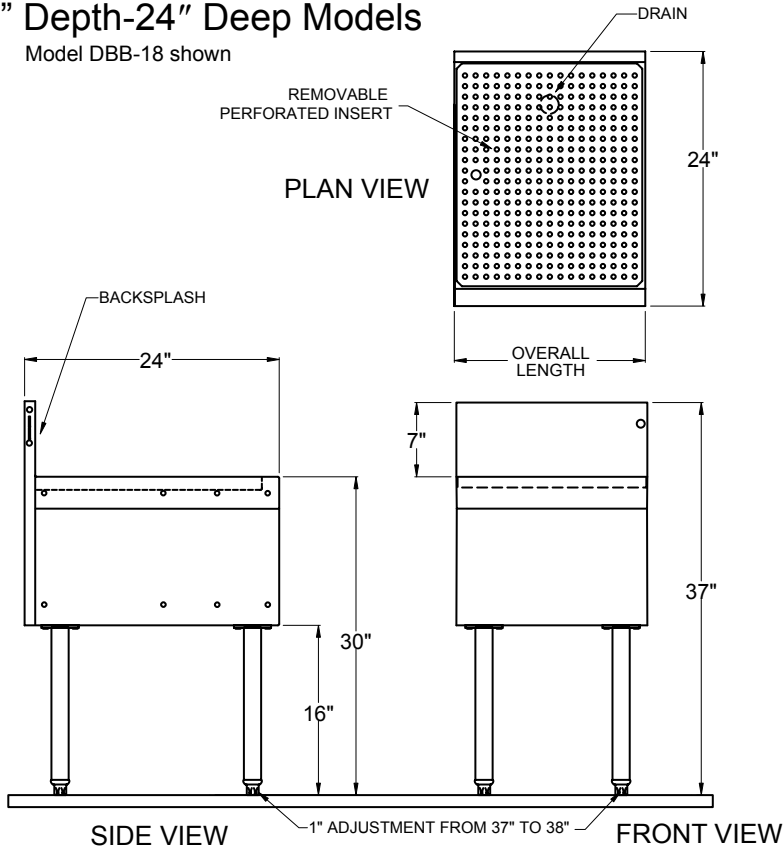
Model DBA-18 shown



Model Number	Overall Length
DBA-12	12"
DBA-18	18"
DBA-24	24"
DBA-30	30"
DBA-36	36"
DBA-42	42"
DBA-48	48"

### "B" Depth-24" Deep Models

Model DBB-18 shown



Model Number	Overall Length
DBB-12	12"
DBB-18	18"
DBB-24	24"
DBB-30	30"
DBB-36	36"
DBB-42	42"
DBB-48	48"



5400 North Michigan Road • Saginaw, MI • 48604-9780  
 989.752.4275 • 800.748.0423 • Fax 989.752.4444  
[www.glastender.com](http://www.glastender.com)