

Project: _____	AIA# _____
Item #: _____ Qty: _____	SIS# _____
Model #: _____	

Drainboard Cabinets

See reverse side for model number key



DBCA-18



Standard Features

- All stainless steel construction
- Adjustable stainless steel bullet feet
- One-piece, seamless top and backsplash featuring 1/4" radius corners for easy cleaning
- Door(s) features integral handle
- Lock(s) standard on models with a door(s)
- Available without door(s) (add suffix '-LD' to model number)
- Exclusive design drainboard top with drain pan and separate perforated insert for better air circulation.
- Intermediate shelf and floor are still removable after unit is plumbed and include radius corners for easy cleaning.
- Plumbing connection is made underneath the unit and does not interfere with shelf or floor.
- Smooth interior walls for easy cleaning and a finished appearance.
- All storage is on a level plane
- Also available with flat stainless steel fillerboard top in lieu of drainboard top. Substitute an "F" for the "D" in the model number when ordering

Specifications

Drain

- 1/2" welded tailpiece. Clear vinyl drain line is connected to the tailpiece at the factory. A 1/2" by 1/2" barbed plastic elbow is provided to make the connection at the bottom of the unit.

Legs

- 1-5/8" diameter, 16 gauge stainless steel
- Stainless steel bullet feet

Materials

- 20 gauge stainless steel parts include: all components unless otherwise noted
- 18 gauge stainless steel parts include: leg pads

Drainboard Cabinets have a bottom shelf, adjustable intermediate shelf, and drainboard work surface. They are available with or without doors. The models with doors come with a lock standard. The 12", 18" and 24" wide models only have one door and all other models have two doors.

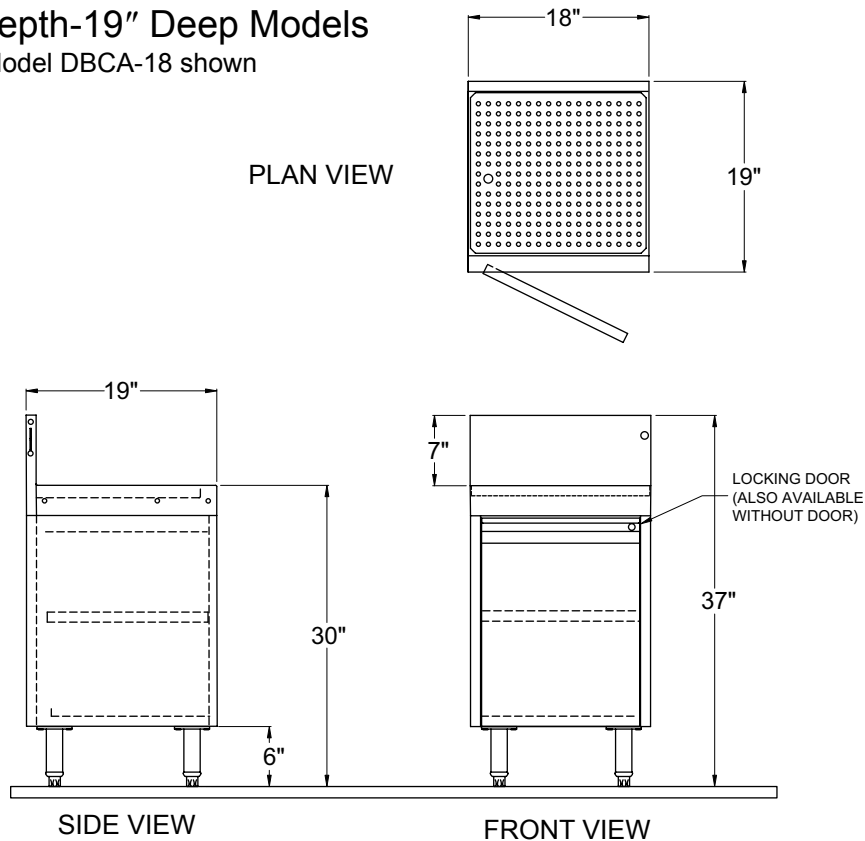
Glastender, Inc. • 5400 N Michigan Rd • Saginaw, MI • 48604-9780 989.752.4275 • 800.748.0423 • Fax 989.752.4444 www.glastender.com	Approval/Notes:
Specifications subject to change without notice. For current specifications please visit our website.	

Drainboard Cabinets

Dimensional Information

"A" Depth-19" Deep Models

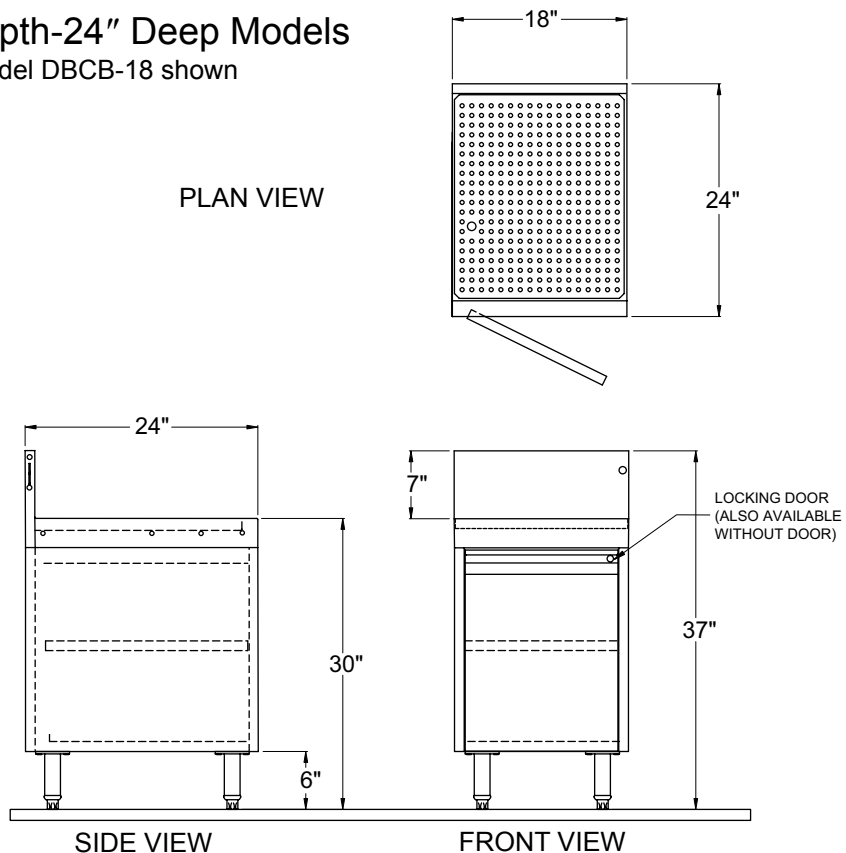
Model DBCA-18 shown



Model Number	Overall Length	Number of Doors
DBCA-12	12"	1
DBCA-18	18"	1
DBCA-24	24"	1
DBCA-30	30"	2
DBCA-36	36"	2
DBCA-42	42"	2
DBCA-48	48"	2

"B" Depth-24" Deep Models

Model DBCB-18 shown



Model Number	Overall Length	Number of Doors
DBCB-12	12"	1
DBCB-18	18"	1
DBCB-24	24"	1
DBCB-30	30"	2
DBCB-36	36"	2
DBCB-42	42"	2
DBCB-48	48"	2



5400 N Michigan Rd • Saginaw, MI • 48604-9780
 989.752.4275 • 800.748.0423 • Fax 989.752.4444
www.glastender.com