



DBCA-18



Project: _____	AIA# _____
Item #: _____ Qty: _____	SIS# _____
Model #: _____	

## Drainboard Cabinets

See reverse side for model number key

### Standard Features

- All stainless steel construction
- Adjustable stainless steel bullet feet
- One-piece, seamless top and backsplash featuring 1/4" radius corners for easy cleaning
- Door(s) features integral handle
- Lock(s) standard on models with a door(s)
- Available without door(s) (add suffix '-LD' to model number)
- Exclusive design drainboard top with drain pan and separate perforated insert for better air circulation.
- Intermediate shelf and floor are still removable after unit is plumbed and include radius corners for easy cleaning.
- Plumbing connection is made underneath the unit and does not interfere with shelf or floor.
- Smooth interior walls for easy cleaning and a finished appearance.
- All storage is on a level plane
- Also available with flat stainless steel fillerboard top in lieu of drainboard top. Substitute an "F" for the "D" in the model number when ordering

### Specifications

*Drain*

- 1-1/2" I.P.S. Threaded drain will fit Dearborn part #8033 slipnut and part #W-573P washer.

*Legs*

- 1-5/8" diameter, 16 gauge stainless steel
- Stainless steel bullet feet

*Materials*

- 20 gauge stainless steel parts include: all components unless otherwise noted
- 18 gauge stainless steel parts include: leg pads

Drainboard Cabinets have a bottom shelf, adjustable intermediate shelf, and drainboard work surface. They are available with or without doors. The models with doors come with a lock standard. The 12", 18" and 24" wide models only have one door and all other models have two doors.

<p><b>Glastender, Inc.</b> • 5400 N Michigan Rd • Saginaw, MI • 48604-9780          989.752.4275 • 800.748.0423 • Fax 989.752.4444  <a href="http://www.glastender.com">www.glastender.com</a></p>	<p>Approval/Notes:</p>
<p>Specifications subject to change without notice. For current specifications please visit our website.</p>	

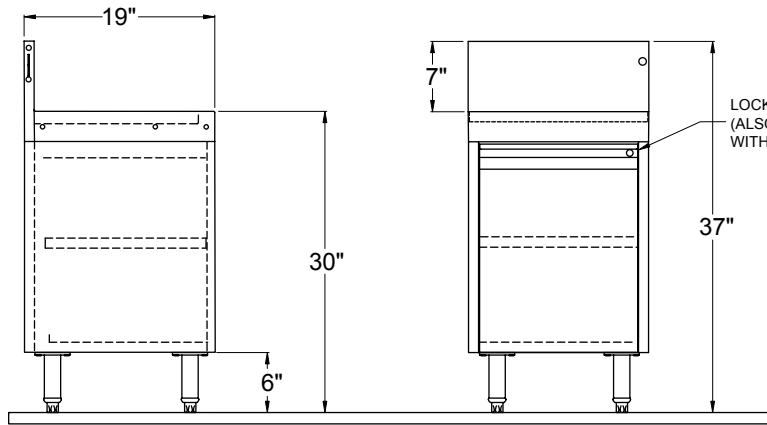
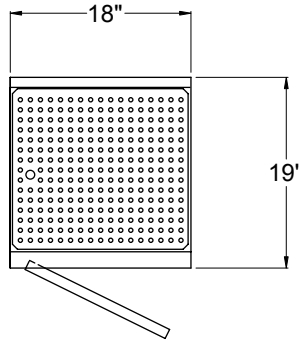
# Drainboard Cabinets

## Dimensional Information

### "A" Depth-19" Deep Models

Model DBCA-18 shown

PLAN VIEW



SIDE VIEW

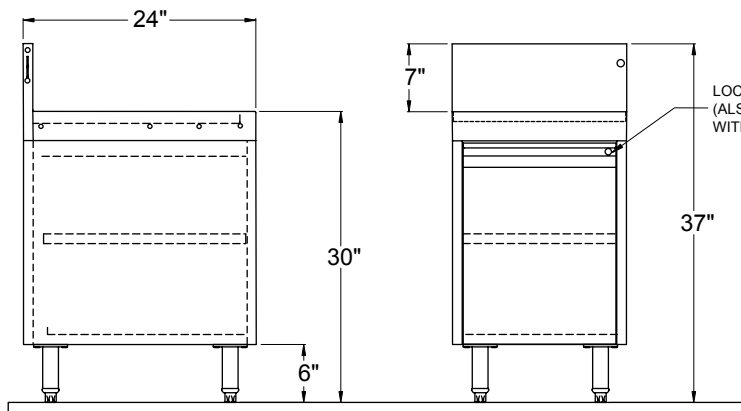
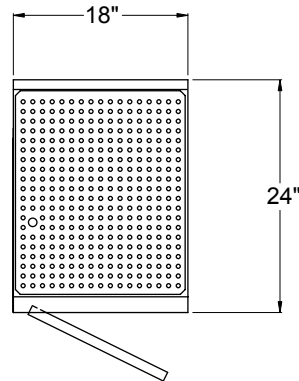
FRONT VIEW

Model Number	Overall Length	Number of Doors
DBCA-12	12"	1
DBCA-18	18"	1
DBCA-24	24"	1
DBCA-30	30"	2
DBCA-36	36"	2
DBCA-42	42"	2
DBCA-48	48"	2

### "B" Depth-24" Deep Models

Model DBCB-18 shown

PLAN VIEW



SIDE VIEW

FRONT VIEW

Model Number	Overall Length	Number of Doors
DBCB-12	12"	1
DBCB-18	18"	1
DBCB-24	24"	1
DBCB-30	30"	2
DBCB-36	36"	2
DBCB-42	42"	2
DBCB-48	48"	2