

Project: _____	AIA# _____
Item #: _____ Qty: _____	SIS# _____
Model #: _____	

## Drop-In Units

DI-IS24, DI-IW24, DI-DIS42, DI-DIW42

### Standard Features

- Manufactured with total welded construction to meet all NSF® standards
- Stainless steel top, interior liner, and sink bowl
- Unique hemmed edge for added strength and visual appeal
- 9-1/4" by 11-1/2" by 6" deep sink bowl
- Includes four 1/4-20 x 1-1/2" studs for mounting to countertop
- Includes 1-1/2" IPS drain fitting
- ABS plastic breaker strip around ice bin liner: creates 5/16" raised edge around liner, acts as thermal barrier to prevent heat transfer, and makes the cover slide easier
- Sliding stainless steel cover
- 42" models include a seamless welded drainboard with lift-out perforated insert
- CFC Free foamed-in-place insulation
- Galvanized steel exterior wrap
- 10-1/2" deep liner



★ All faucets are NSF/ANSI 61, Annex G low lead compliant

### Specifications

**Drains**

- Sink and Drainboards: 1-1/2" I.P.S. Threaded drain will fit Dearborn part #8033 slipnut and part #W-573P washer.
- Ice Bin: 1-1/2" tail piece

**Faucet**

- DI-IS24 and DI-DIS42: Deck mount on 4" centers, accepts 3/8" sink leads, hot and cold water connections required
- DI-IW24 and DI-DIW42: Deck mount water filler, accepts 3/8" sink lead, cold water connection required

**Sink Bowl Dimensions**

- 9-1/4" by 11-1/2" by 6" deep

**Cover**

- Two piece sliding cover, stainless steel, included with all models

**Ice Bin Liner Depth**

- 10-1/2"

**Ice Capacity**

- 33 lbs

**Cut-out Dimensions**

- 24" models: 17-1/2" by 22-1/2"
- 42" models: 17-1/2" by 40-1/2"

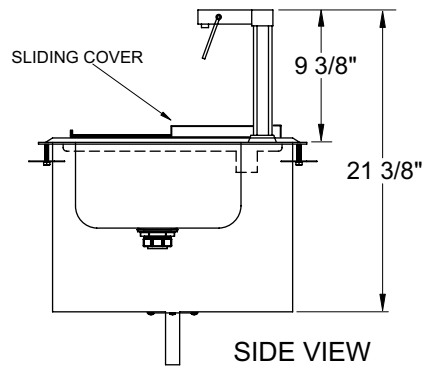
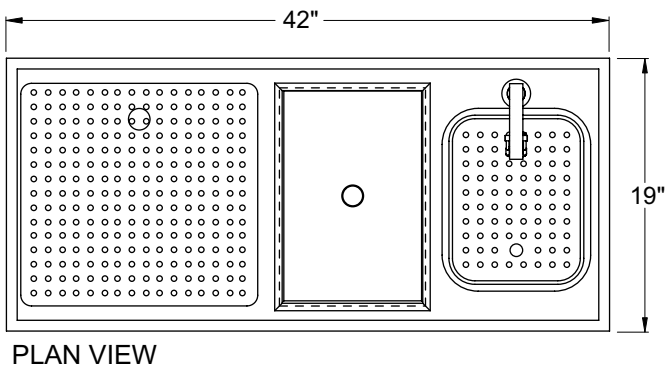
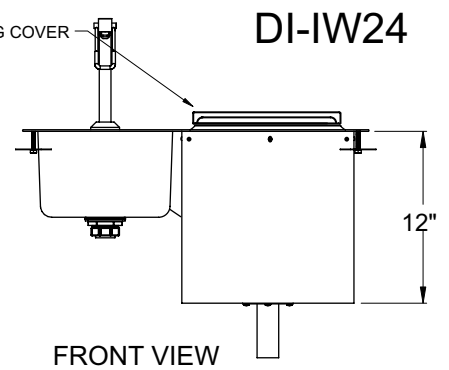
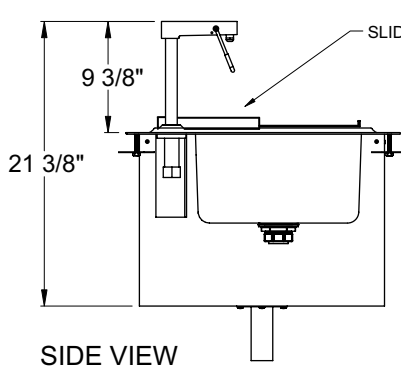
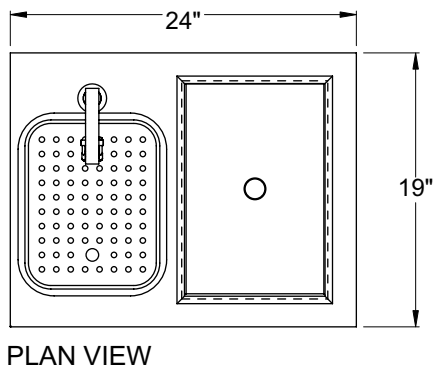
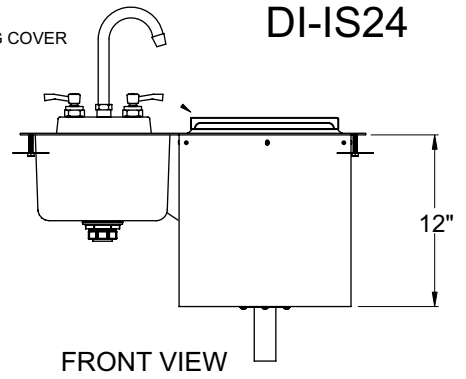
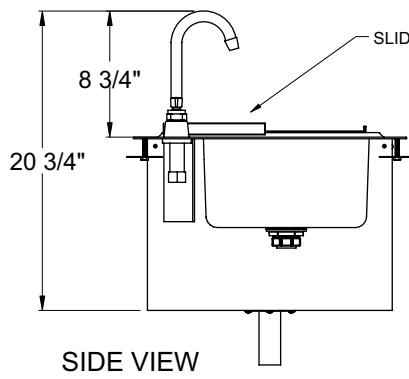
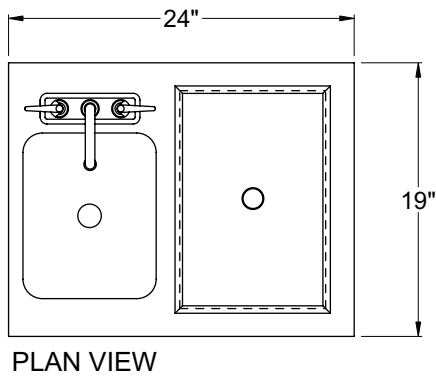
**Materials**

- 20 gauge stainless steel parts include: All components unless otherwise noted
- 16 gauge galvanized steel part include: faucet support bracket
- 22 gauge galvanized steel parts include: exterior wrap and bottom

<b>Glastender, Inc.</b> • 5400 North Michigan Road • Saginaw, MI • 48604-9780 989.752.4275 • 800.748.0423 • Fax 989.752.4444 <a href="http://www.glastender.com">www.glastender.com</a>	Approval/Notes:
<small>Specifications subject to change without notice. For current specifications please visit our website.</small>	

# Drop-In Units

## Dimensional Information



DI-DIW42

