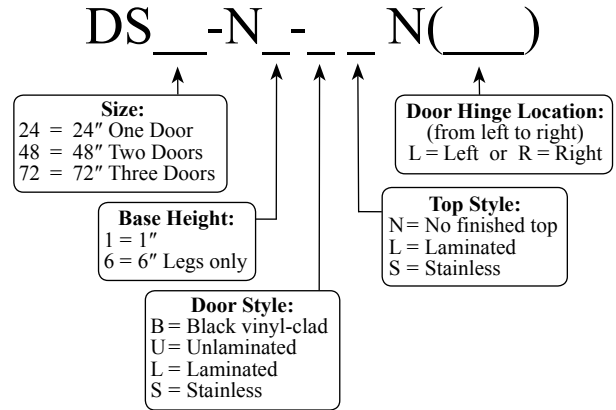


DS24-N1-LLN(R)



Project: _____	AIA# _____
Item #: _____ Qty: _____	SIS# _____
Model #: _____	

One, Two And Three Door Dry Storage Cabinets



Standard Features

- Galvanized steel interior construction
- Foamed-in-place insulation for extra sturdiness
- Galvanized steel sub-top on DS48 and DS72 models
- Black vinyl-clad steel exterior front and sides
- Stainless steel die cast handle
- Leg sockets recessed into base
- 180° swinging doors

Specifications

Shelving

- Two adjustable shelves per door included

Legs

- 1-5/8" diameter
- Stainless steel bullet feet

Materials

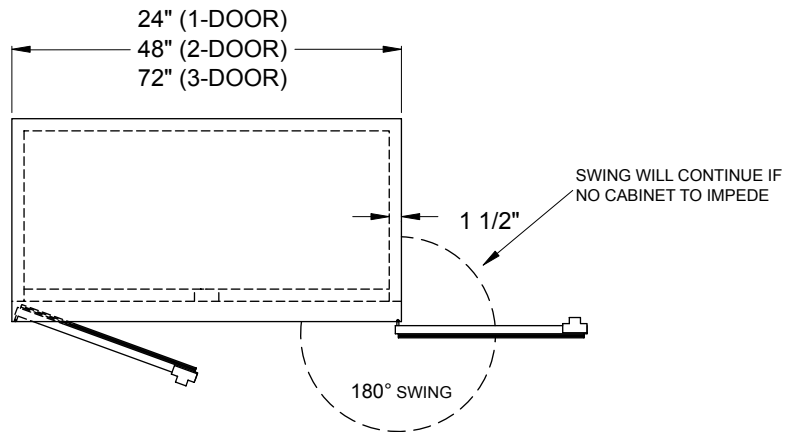
- 22 gauge black vinyl-clad parts include: sides and standard doors
- 16 gauge stainless steel parts include: legs
- 16 gauge galvanized steel parts include: base
- 16 gauge zinc plated CR steel parts include: leg sockets
- 12 gauge stainless steel parts include: hinges, hinge brackets, and lock brackets

<p>Glastender, Inc. • 5400 North Michigan Road • Saginaw, MI • 48604-9780 989.752.4275 • 800.748.0423 • Fax 989.752.4444 www.glastender.com</p>	<p>Approval/Notes:</p>
<p>Specifications subject to change without notice. For current specifications please visit our website.</p>	

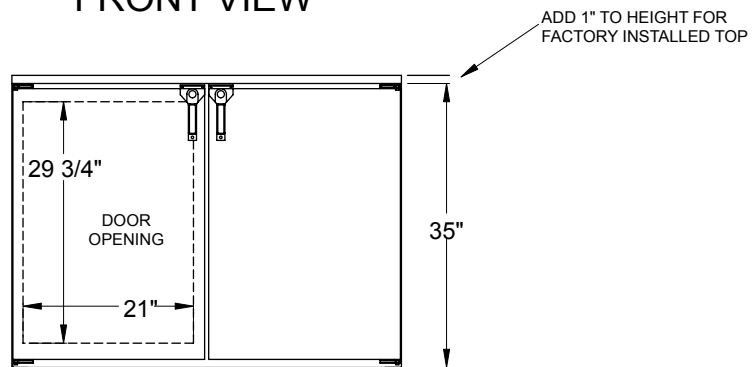
Dry Storage Cabinets

Dimensional Information

PLAN VIEW



FRONT VIEW



SIDE VIEWS

