



Project: _____	AIA# _____
Item #: _____ Qty: _____	SIS# _____
Model #: _____	

## In-Counter Blender Stations

IBS-12-V, IBS-12-B, IBS-12-H

### Standard Features

- All stainless steel construction
- One-piece, seamless top and backsplash featuring 1/4" radius corners for easy cleaning
- Lowered work surface with cutout, specially designed to house the Vita-Mix® In-Counter Touch & Go® Blending Station®, the Hamilton Beach™ 91655 In-Counter Commercial Blender or the Blendtec™ Smoother, Titan or ABC In-Counter Blenders
- Raised side edges to help contain spills
- Mounting holes and cam-lock for securing to adjacent Glastender equipment



IBS-12-V  
(Blender not included)



IBS-12-H  
(Blender not included)



IBS-12-B  
(Blender not included)



### Specifications

*Legs*

- 1-5/8" diameter, 16 gauge stainless steel
- Stainless steel bullet feet

*Materials*

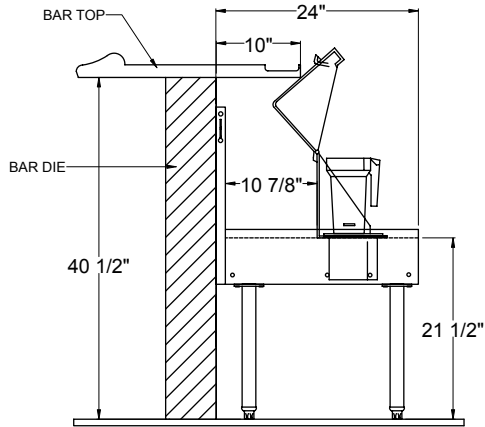
- 20 gauge stainless steel

<b>Glastender, Inc.</b> • 5400 North Michigan Road • Saginaw, MI • 48604-9780 989.752.4275 • 800.748.0423 • Fax 989.752.4444 <a href="http://www.glastender.com">www.glastender.com</a>	Approval/Notes:
Specifications subject to change without notice. For current specifications please visit our website.	

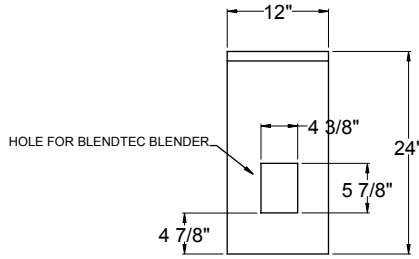
# In-Counter Blender Stations

## Dimensional Information

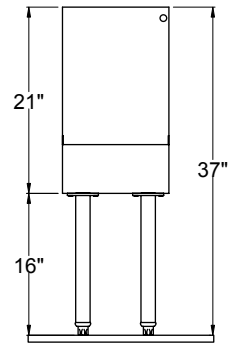
IBS-12-B (Accommodates Blendtec™ Smoother, Titan or ABC In-Counter Blenders)



SIDE ELEVATION

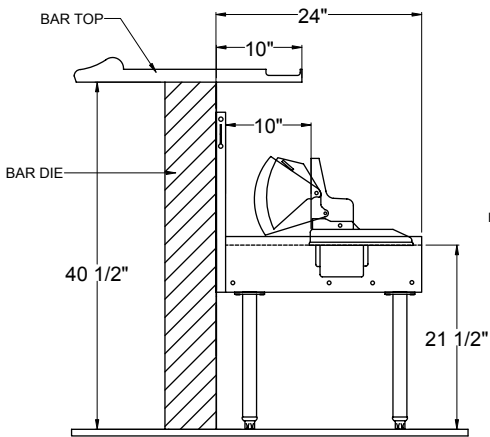


PLAN VIEW

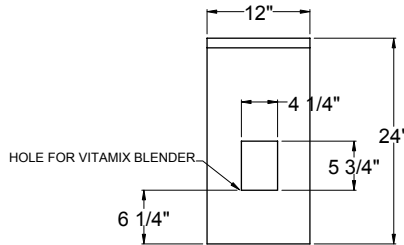


FRONT ELEVATION

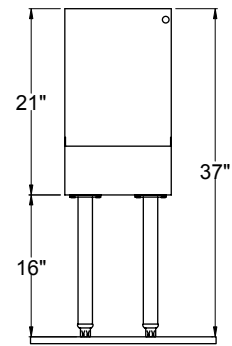
IBS-12-H (Accommodates Hamilton Beach™ 91655 In-Counter Commercial Blender)



SIDE ELEVATION

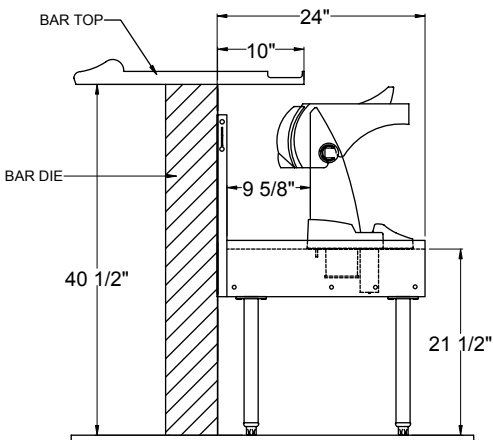


PLAN VIEW

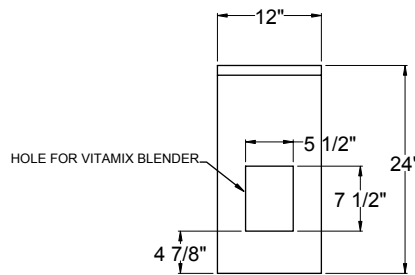


FRONT ELEVATION

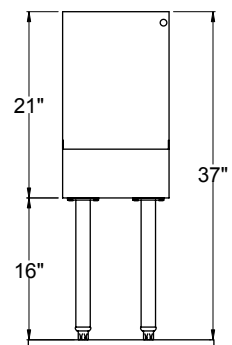
IBS-12-V (Accommodates Vita-Mix® In-Counter Touch & Go® Blending Station®)



SIDE ELEVATION



PLAN VIEW



FRONT ELEVATION