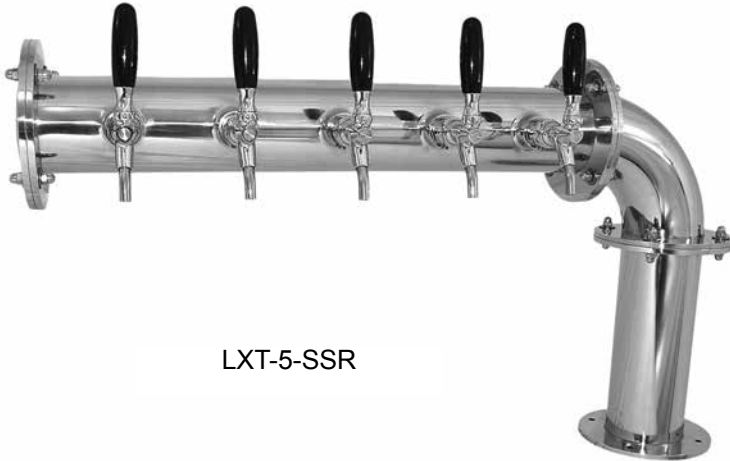




Project: _____	AIA# _____
Item #: _____ Qty: _____	SIS# _____
Model #: _____	

# Lynx Towers



LXT-5-SSR

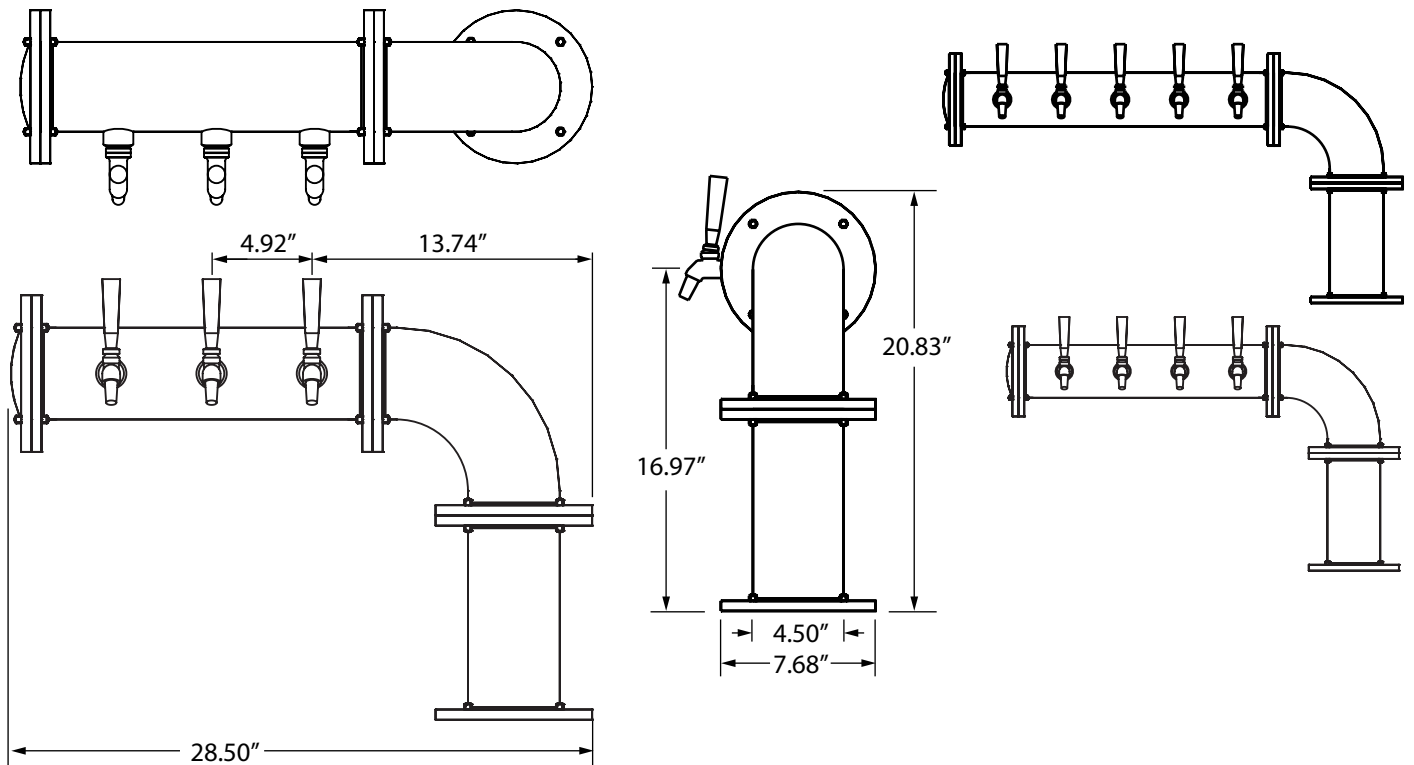
LXT- -

**Size:**  
Specify the number of faucets from 3, 4, or 5

**Hardware Finish:**  
SSR = Stainless Steel  
PBR = Brass

Towers supplied with US style stainless steel faucets.  
*NOTE: Faucet handles not included.*

## Dimensional Information



<p><b>Glastender, Inc.</b> • 5400 North Michigan Road • Saginaw, MI • 48604-9780 989.752.4275 • 800.748.0423 • Fax 989.752.4444 www.glastender.com</p>	<p>Approval/Notes:</p>
--	------------------------

Specifications subject to change without notice. For current specifications please visit our website.