



Project: _____	AIA# _____
Item #: _____ Qty: _____	SIS# _____
Model #: _____	

Mushroom Towers



MT-5-SS

MT- -

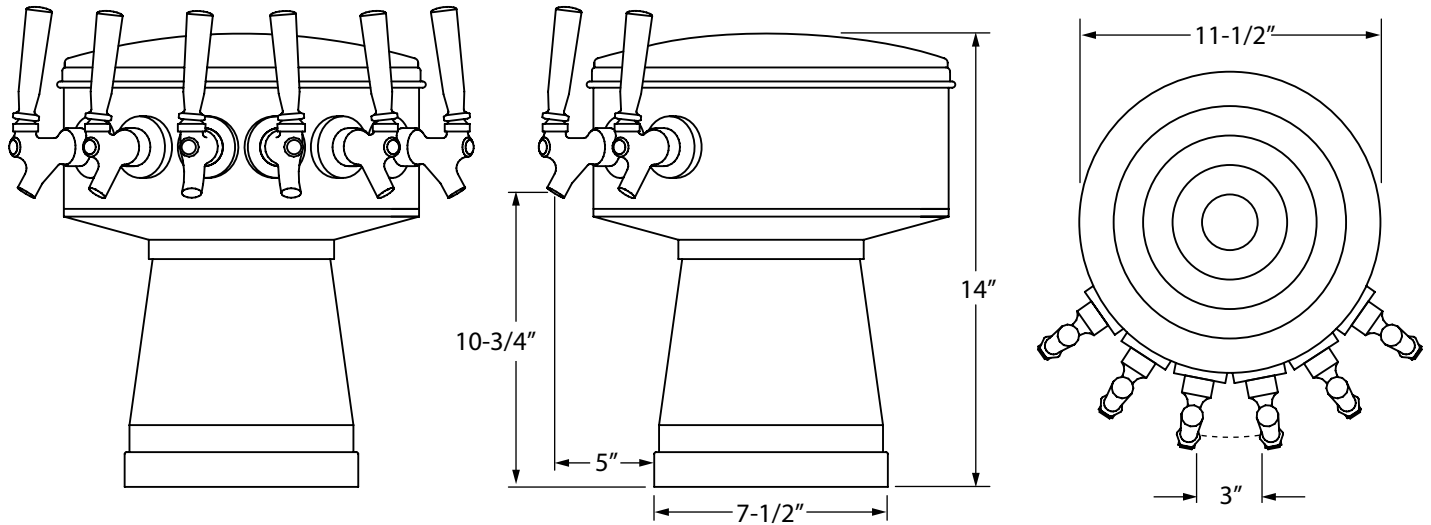
Size:
Specify the number of faucets from 4, 5, or 6

Hardware Finish:
SS = Stainless steel
PB = Polished brass

Towers supplied with US style stainless steel faucets.

NOTE: Faucet handles not included.

Dimensional Information



Glastender, Inc. • 5400 North Michigan Road • Saginaw, MI • 48604-9780 989.752.4275 • 800.748.0423 • Fax 989.752.4444 www.glastender.com	Approval/Notes:
Specifications subject to change without notice. For current specifications please visit our website.	