



Project: _____	AIA# _____
Item #: _____ Qty: _____	SIS# _____
Model #: _____	

Tube Towers



TT-12-SS

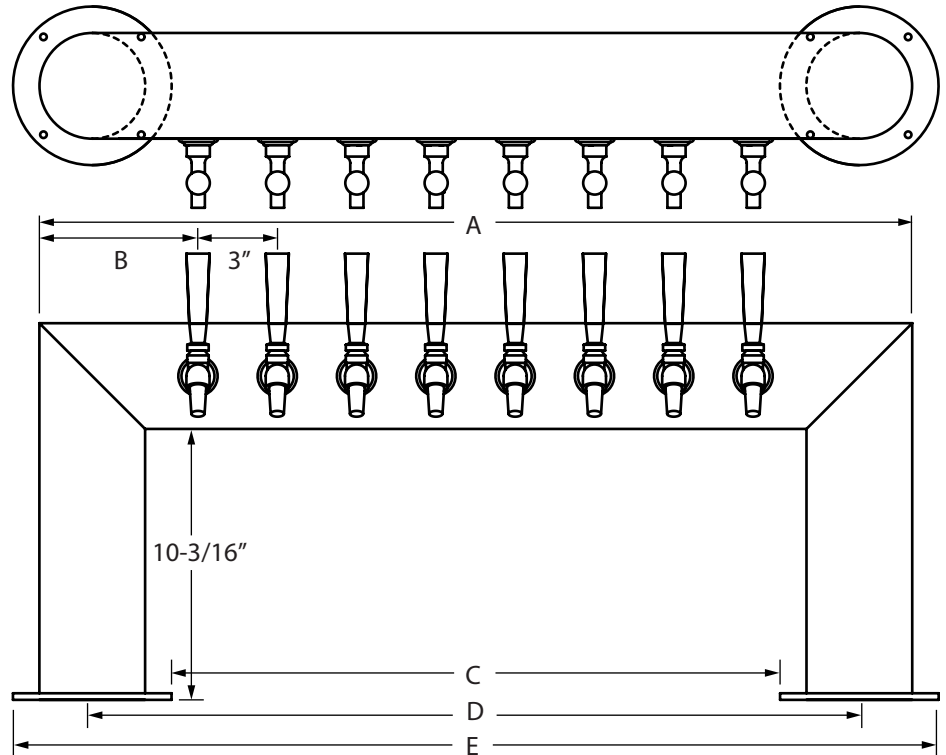
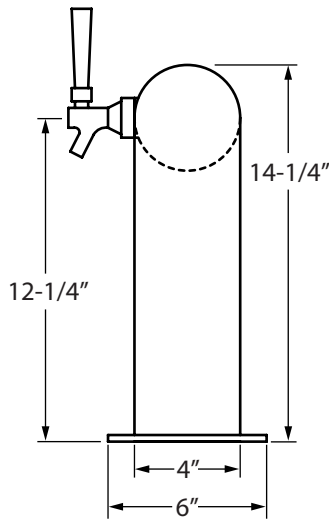
TT- - -

Size:
Specify the number of faucets from 6, 8, 10, or 12

Hardware Finish:
SS = Stainless steel
PB = Polished brass

Towers supplied with US style stainless steel faucets.
NOTE: Faucet handles not included.

Dimensional Information



Faucets	A	B	C	D	E
6	30"	7-1/2"	20"	26"	32"
8	33"	6"	23"	29"	35"
10	39"	6"	29"	35"	41"
12	45"	6"	35"	41"	47"

Glastender, Inc. • 5400 North Michigan Road • Saginaw, MI • 48604-9780 989.752.4275 • 800.748.0423 • Fax 989.752.4444 www.glastender.com	Approval/Notes:
Specifications subject to change without notice. For current specifications please visit our website.	