



Project: _____	AIA# _____
Item #: _____ Qty: _____	SIS# _____
Model #: _____	

Wall Cabinets



WCH48

Standard Features

- Includes intermediate shelf
- Includes wall mounting bracket
- Available with open front or with hinged doors
- Door models include door locks and positive latch catch
- Door models 24" - 48" = 2 doors, 60" - 96" = 4 doors
- Sloping top to create sanitary surface

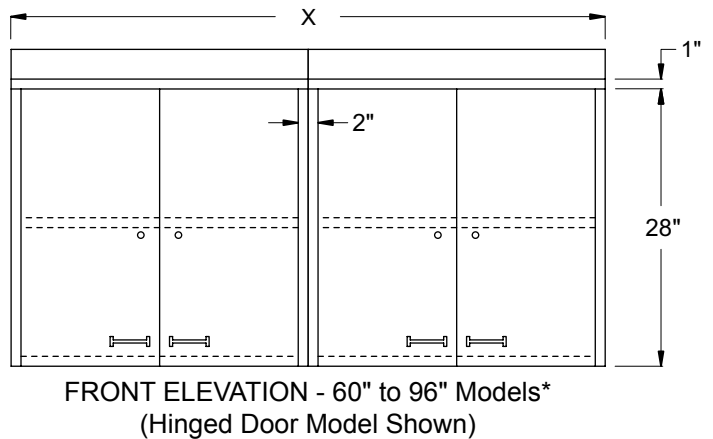
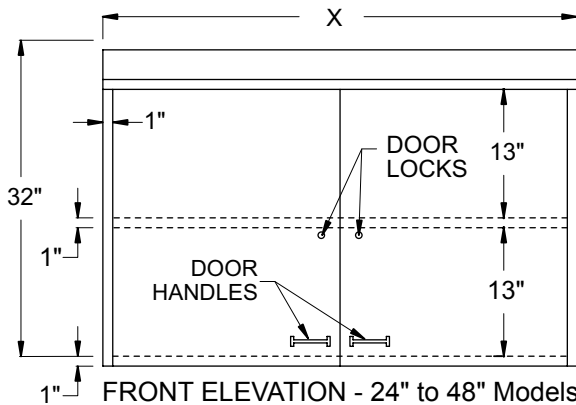
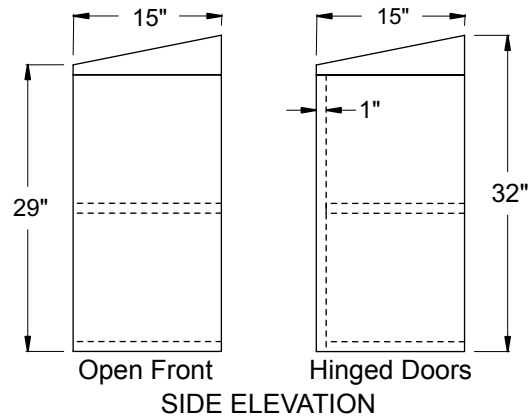
Materials

- All 18 gauge stainless steel construction
- Stainless steel hinges and handles



Dimensional Information

X	Open Front	Hinged Doors	Ship Wgt
24"	WCO24	WCH24	55#
30"	WCO30	WCH30	60#
36"	WCO36	WCH36	65#
42"	WCO42	WCH42	70#
48"	WCO48	WCH48	75#
60"	WCO60	WCH60	120#
72"	WCO72	WCH72	130#
96"	WCO96	WCH96	150#



*NOTE: Four door models ship as two units and include hardware for field assembly.

Glastender, Inc. • 5400 North Michigan Road • Saginaw, MI • 48604-9780 989.752.4275 • 800.748.0423 • Fax 989.752.4444 www.glastender.com	Approval/Notes:
Specifications subject to change without notice. For current specifications please visit our website.	