



WMR24S-R



NSF standard 7 listed  
for open food storage



**Intertek**  
Conforms to ANSI/UL STD 471  
Certified to CSA STD  
C22.2 No. 120

Project: _____	AIA# _____
Item #: _____ Qty: _____	SIS# _____
Model #: _____	

## Wall-Mount Refrigerator

WMR24S-L, WMR24S-R, WMR24X-L, WMR24X-R

### Standard Features

- Self-contained forced air refrigeration system for uniform cooling of product
- Automatic condensate evaporator
- Digital thermostat control with automatic defrost
- All stainless steel interior construction
- Stainless steel exterior construction with galvanized steel back and bottom
- CFC free foamed-in-place insulation
- Removable condenser air inlet filter for easy cleaning
- Six-foot grounded cord and plug provided
- Available with stainless steel door or glass door with stainless steel frame
- Interior LED light included
- Specify Left or Right hinge when ordering
- Includes brackets for wall mounting
- 4" adjustable legs available for countertop installation

### Specifications

#### Electrical

- 120V, 1 phase, 60 Hz, 5.5 full load amps
- Separate 15 amp circuit is required
- Includes a 6-foot grounded cord
- Available with 220V, 1 phase, 50Hz electrical

#### Refrigeration

- 1/4 HP, R134a refrigerant

#### Plumbing

- Automatic condensate evaporator. No drain connection required.

#### Capacity

- Interior Dimensions: 21"W x 23"H x 14"D
- 3.9 cubic feet of storage space

#### Operating Range

- 34°F (1°C) to 40°F (4°C)

#### Shelving

- Two adjustable shelves included

#### Legs (Optional)

- 4" adjustable legs

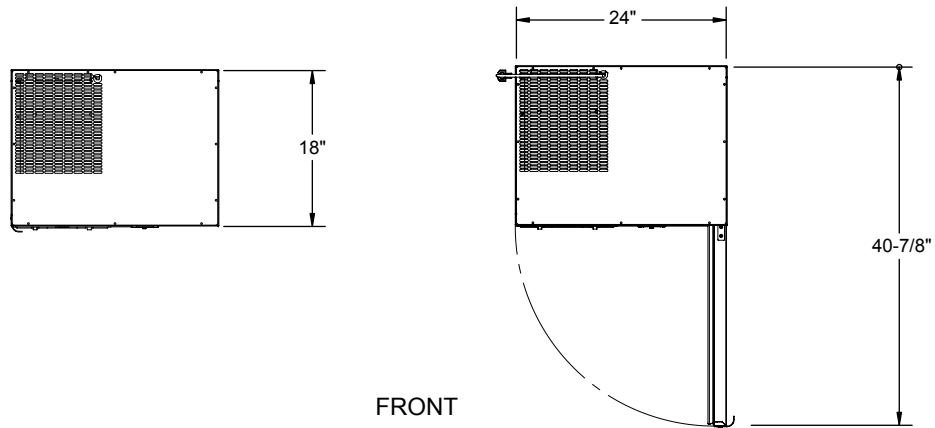
#### Materials

- 22 gauge stainless steel parts include: interior and exterior front, sides
- 20 gauge stainless steel parts include: door and condensing unit compartment cover
- 22 gauge galvanized steel parts include: back
- 16 gauge galvanized steel parts include: condensing unit floor and exterior bottom

<p><b>Glastender, Inc.</b> • 5400 North Michigan Road • Saginaw, MI • 48604-9780 989.752.4275 • 800.748.0423 • Fax 989.752.4444 www.glastender.com</p>	Approval/Notes:
<p>Specifications subject to change without notice. For current specifications please visit our web site.</p>	

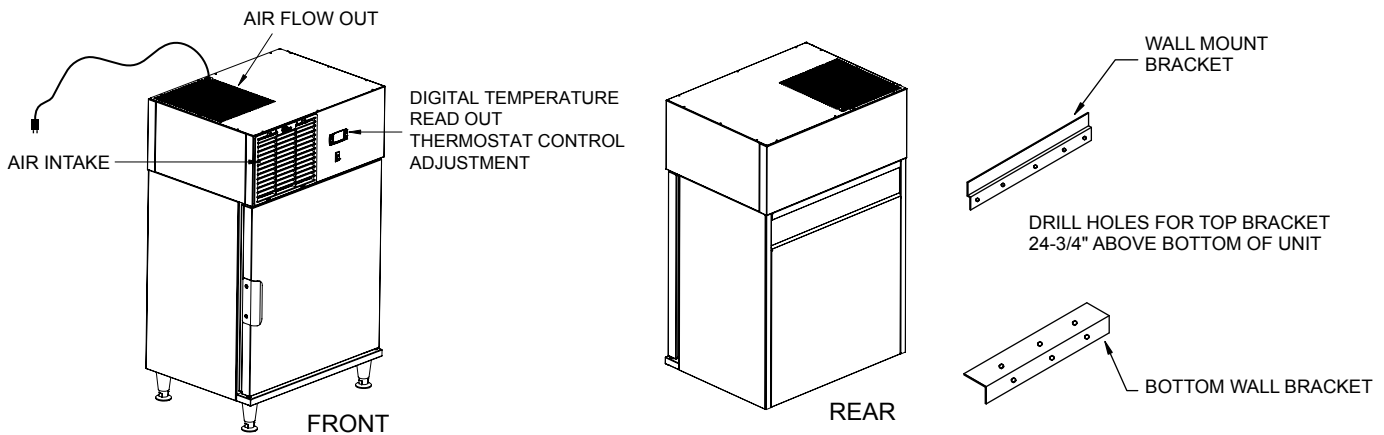
# Wall-Mount Refrigerator

## Dimensional Information



FRONT

## PLAN VIEWS

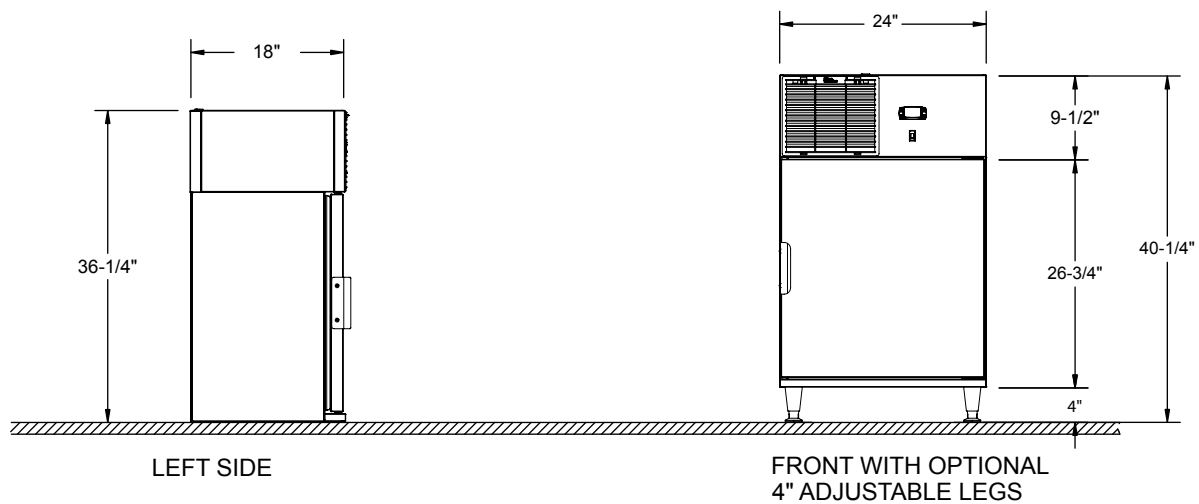


FRONT

REAR

8" OF AIR SPACE IS REQUIRED ABOVE UNIT TO ALLOW FOR AIR FLOW OUT  
WARNING: COMPRESSOR FAILURE DUE TO RESTRICTION OR BLOCKAGE OF AIR FLOW WILL VOID WARRANTY.

## ISOMETRIC VIEWS



LEFT SIDE

FRONT WITH OPTIONAL  
4" ADJUSTABLE LEGS

## ELEVATION VIEWS



5400 North Michigan Road • Saginaw, MI • 48604-9780  
989.752.4275 • 800.748.0423 • Fax 989.752.4444  
www.glastender.com

Printed in USA