

100 Series Grinders

Portion Control Coffee Grinders



MODEL 100

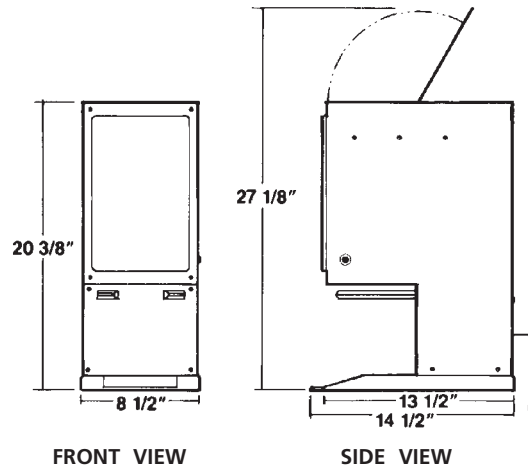


GRINDMASTER™
CORPORATION

100 Series Grinders

Features:

- Excellent bean visibility
- Adjustable range of grind settings
- Exclusive, long lasting granulating-style burrs assure highly accurate & consistent throws
- Economical, dependable grinders
- Powerful, energy efficient 1/2 HP motor
- Solid-state, concealed, dual range timer
- Circuit breaker with manual reset button
- Troubleshooting guide decals with toll-free phone number affixed to the back of each grinder
- Years of proven performance & reliability
- Exceptional warranty program: Burrs - 3 years, all other components - 1 year



Specifications	Model 100
Volts/Watts/Amps	115V AC / 920W / 8Amps
# Hoppers or Bowls	1
Hopper or Bowl Size	6 lbs. (2.7kg) whole bean coffee
Grind Range	.5 - 27 oz. (14-756g)
Grind Time	4.75 sec., 2 oz. (56g) on auto drip
Drive Motor	1/2 HP
Dimensions (H x W x D)	20 1/2" x 8 1/2" x 14 1/2" (52cm x 22cm x 37cm)
Ship Dimensions (H x W x D)	26 1/2" x 12 1/2" x 18 1/2" (67cm x 32cm x 47cm)
Weight	41 lbs. (18.6kg)
Ship Weight	46 lbs. (20.9kg)
Listings	UL& CUL Electrical

All specifications are subject to improvement or change without notice.

Ask about the Grindmaster Corporation's line of Coffee Grinders, Coffee Brewers, Coffee Urns, Coffee Shuttles, Coffee Grindermixers, Espresso Grinders, Espresso Brewers, Beverage Dispensers, Granita Machines and Beverage Freezers.



GRINDMASTER™
CORPORATION

Grindmaster® Coffee Grinders and Brewers • Espresso® Espresso Machines • Crathco® Hot Beverage Dispensers
 Crathco® Cold and Frozen Beverage Dispensers • American Metal Ware® Coffee and Tea Systems
 Tel (502) 425-4776 • Fax (502) 425-4664 • 1-800-695-4500 (USA & Canada only)
 P.O. Box 35020 • Louisville, KY 40232 • USA