



Item # _____

Project _____

Date _____

Twin and Single Mid Line Fresh Water Urns Heat Exchange Brewing System

Twin Models 7443, 7446, 74410

Single Models: 7413, 7416, 74110

Electric



Features:

- **Fresh Water Brewing**
Water used for brewing is fresh water that is heated in a coiled, nickel-plated, copper heat exchange tube inside the urn. As water passes through the heat exchanger coil it is heated to optimum brew temperature.
- **Durable Construction**
All A.I.S.I. type 304, 18-8 stainless steel
- **Constant Brew Temperature**
Brew temperature varies less than 5°F (3°C) throughout spray over
- **Automatic Coffee Agitation**
Thoroughly mixes brewed coffee immediately after spray over is completed
- **Automatic refill of water compartment**
Water compartment automatically refills and reheats as needed.
- **Low water cutoff System**
Protects heating elements from burn out, at start-up or in operation.
- **Velvet Smooth Spray Arm**
Teflon® coating on spray arm piston prevents liming and insures smooth operation. Positive "stops" on spray arm for operator ease.

Easy to operate:

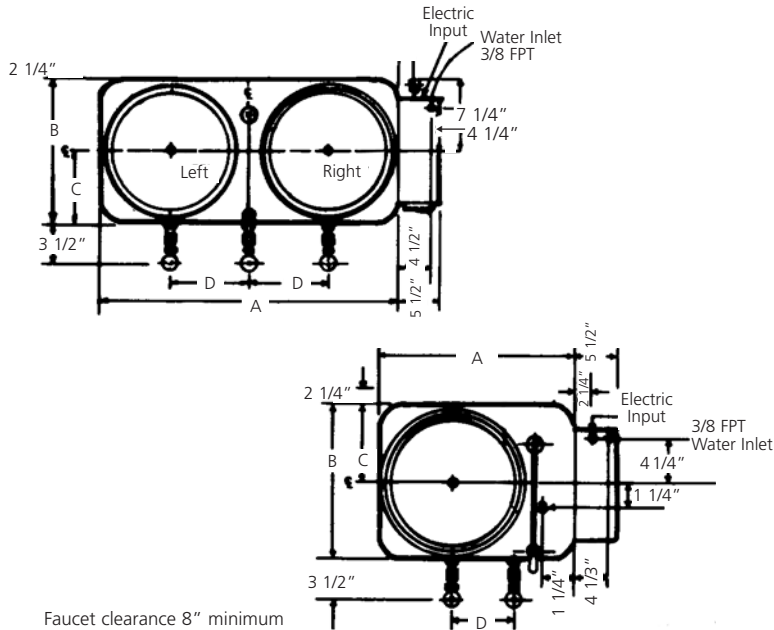
- **Fully Automatic – Push Button Operation**
Simply load brew basket with coffee, align spray arm over basket lid hole and press brew start button.
- **Adjustable Bypass valve on spray arm**
Enables proper coffee extraction even with variable water conditions
- **Dial Thermometer with color-marked brew zone.**
- **Thermostat adjustable from front**
Knob on thermostat has four marked positions: Brew, Hold, Night Standby and Off.

Serviceable

- **Drain valve in bottom**
- **Control drawer with all electronic components is accessible from side.**

Twin and Single Mid Line Fresh Water Urns

Heat Exchange Brewing System



Model Number	A	B	C	D	Work Height	Overall Height
7443	30-1/2"	15-1/4"	7-5/8"	7-3/4"	21-5/8"	27-1/8"
7446	34"	16-3/4"	8-3/8"	8-5/8"	27-5/8"	33-1/8"
74410	34"	16-3/4"	8-3/8"	8-5/8"	27-5/8"	34-5/8"
7413	18"	15-1/4"	7-5/8"	5-1/2"	21-5/8"	27-1/8"
7416	21"	16-3/4"	8-3/8"	7-5/8"	27-5/8"	33-1/8"
74110	21"	16-3/4"	8-3/8"	7-5/8"	27-5/8"	34-5/8"

Brew Basket Selection Chart

Brews	3 Gal.	6 Gal.	10 Gal.	1/2 Batch on 3 Gal.	1/2 Batch on 6 Gal.	1/2 Batch on 10 Gal.
Part No.	BB3	BB6	BB810	BB3-1.5	BB6-3	BB810-6

NOTE: All SS Permanent Filter Brew Basket with SS woven wire cloth bottom is available. Filter paper is available from our stock. See price list.

Military Specifications - Marine Modifications

Twin and single automatic urns MIL-U-43263E or latest specification. Available modified for marine (shipboard) use; no spillage of liquid with 15° list in any plane, and other requirements. Contact factory for detailed quotation and data.

Multiple Faucet Options

- Opt. DS-1 2C, 1W Back/Rear, No Gauge
- Opt. DS-2 2C, 1W Back/Rear, with Gauges
- Opt. DS-3L 2C, 1W Back/Rear, No Gauges, w/ selecta-flow

Fast Fill Options

- Opt. 56 Jug Fill Funnel and Chain (18" long)
- Opt. 57 Gravity Jug Fill Hose Assembly (6' long)

Model No.	Twin			Single		
	7443	7446	74410	7413	7416	74110
Coffee Capacity (each liner)	3 gal.	6 gal.	10 gal.	3 gal.	6 gal.	10 gal.
Maximum Gallons/Hour*	25	32	42	14	32	42
Number of 5 oz. Cups/Hour	625	800	1050	450	800	1050

* Based on spraying over amount of water equal to capacity of liner.

Electric Heat

Specify electric service desired. Standard is dual voltage 120/240V or 120/208V single phase 3 wire (neutral wire required). Watts and amps as shown.

Note: A ground wire must be provided in addition to wire service shown. All service includes terminal block hook-up.

Model	120/240 Volt				120/208 Volt				240 Volt		120/208 Volt		480 Volt	
	1-Phase		3 Wire		1-Phase		3 Wire		3-Phase	3 Wire	3-Phase	4 Wire	3-Phase	3 Wire
	KW	Amps	KW	Amps	KW	Amps	KW	Amps	Specify Opt. 21B		Specify Opt. 21A		Specify Opt. 21C	
7443	7	29	5.5	25	7	29	5.5	25	10.5†	25	8	22	12	14
7446	11.5	48	8.5	41	11.5	48	8.5	41	12	29	11.5	31	12	14
74410	15	63	11.5	54	15	63	11.5	54	15	36	15	42	12	14
7413	7	29	5.5	25	7	29	5.5	25	10.5†	25	8	22	12	14
7416	11.5	48	8.5	41	11.5	48	8.5	41	12	29	11.5	31	12	14
74110	15	63	11.5	54	15	63	11.5	54	15*‡	36	15	42	12	14

* No extra charge

Or Opt. 2200P step down transformer.

† Separate 3 wire 120V cord and plug for control circuit.



Tel (502) 425-4776 • Fax (502) 425-4664 • 1-800-695-4500 (USA & Canada only)

P.O. Box 35020 • Louisville, KY 40232 • USA

www.gmcw.com • email: info@gmcw.com