



Item # \_\_\_\_\_

Project \_\_\_\_\_

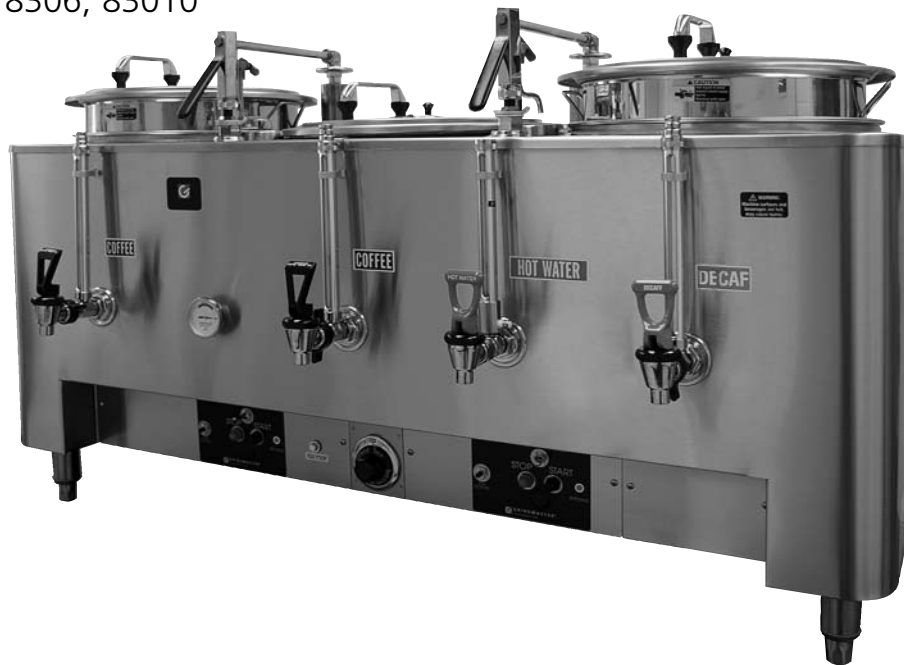
Date \_\_\_\_\_

# Triple Space Saver Urn

## Dual Wall Insulated Pump Type Brewing System

Models 8303, 8306, 83010

Electric



### Features:

- **Pump Style Brewing Systems**  
Water is heated in large water compartment and is sprayed over the grounds by two independently controlled water pumps.
- **Electropolished Liners**  
Smooth surface on coffee liners for easy cleaning
- **Dual wall urn body with fiberglass insulation**  
Energy Savings minimizes heat loss, saves air-conditioning costs.
- **Dual Spray Arms**  
Two independent brewing systems with two spray arms allows for simultaneously brewing of regular and decaffeinated coffee.
- **Durable Construction**  
All A.I.S.I. type 304, 18-8 stainless steel
- **Constant Brew Temperature**  
Brew temperature varies less than 5°F (3°C) throughout spray over
- **Automatic Coffee Agitation**  
Thoroughly mixes brewed coffee immediately after spray over is completed
- **Automatic refill of water compartment**  
Water compartment automatically refills and reheats as needed.
- **Low water cutoff System**  
Protects heating elements from burn out, at start-up or in operation.
- **Velvet Smooth Spray Arm**  
Teflon® coating on spray arm piston prevents liming and insures smooth operation. Positive "stops" on spray arm for operator ease.

### Easy to operate:

- **Fully Automatic – Push Button Operation**  
Simply load brew basket with coffee, align spray arm over basket lid hole and press brew start button.
- **Easy Adjustment of spray over rate**  
Simple screwdriver adjustment. No awkward changing of parts.
- **Adjustable Bypass valve on spray arm**  
Enables proper coffee extraction even with variable water conditions
- **Dial Thermometer with color-marked brew zone.**
- **Thermostat adjustable from front**  
Knob on thermostat has four marked positions: Brew, Hold, Night Standby and Off.

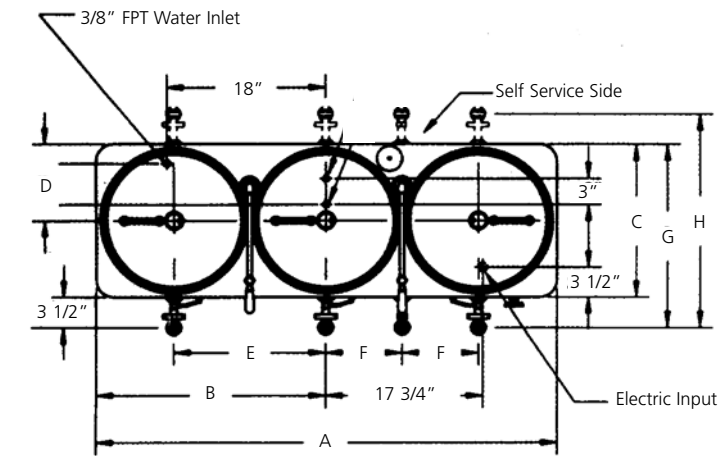
### Serviceable:

- **Drain valve in bottom**
- **Control drawer with all electrical components is accessible from the front**

# Triple Space Saver Urn

## Dual Wall Insulated

### Pump Type Brewing System



Note:  
Faucets On Self Service  
Only When Specified

Model No.	8303	8306	83010
Coffee Capacity (each liner)	3 gal.	6 gal.	10 gal.
Actual Brew Time Per Liner	6 minutes	9 minutes	14 minutes
Brews Per Hour	12	8	5
Gallons Per Hour	36	48	50
Number of 5 oz. Cups Per Hour	920	1230	1280

Brew Basket Selection Chart					
Brews	3 Gal.	6 Gal.	10 Gal.	1/2 Batch on 6 Gal.	1/2 Batch on 10 Gal.
Part No.	BB3	BB6	BB810	BB3-1.5	BB810-6

NOTE: All SS Permanent Filter Brew Basket with SS woven wire cloth bottom is available. Filter paper is available from our stock. See price list. Two stainless steel baskets included.

#### Design Specification (Fill in the blanks)

Coffee urn, fully automatic triple \_\_\_\_\_ gallons each. Pump style brewing system. Electric service. All controls to be located in recessed base of urn and operate on 120VAC. Dual wall fiberglass insulated. All AISI 304, 18-8 stainless steel construction. To include: positive low water cutoff system, automatic refill, automatic air agitation with top coffee gage fittings, bypass on spray arm, variable brew volume, electropolished liners and two all stainless steel brew baskets for paper filters. Two year parts, one year labor warranty included. U.L. listed, NSF approved.

Model Number	A	B	C	D	E	F	G	H	Work Height	Overall Height
8303	47"	23-1/2"	16-1/4"	8-1/8"	15-1/2"	7-3/4"	19-3/4"	23-1/4"	22"	27-1/2"
8306	52-1/4"	26-1/8"	17-3/4"	8-7/8"	17-1/4"	8-5/8"	21-1/4"	24-3/4"	28"	33-1/2"
83010	52-1/4"	26-1/8"	17-3/4"	8-7/8"	17-1/4"	8-5/8"	21-1/4"	24-3/4"	30"	37"

#### Fast Fill Options

- Opt. 56 Jug Fill Funnel and Chain
- Opt. 57 Gravity Jug Fill Hose Assembly
- Opt. 70T1 High Speed Jug Fill - Coffee Only
- Opt. 70T2 High Speed Jug Fill - Coffee and Washer (110 Cord and Plug Required)
- Opt. 70T3 High Speed Jug Fill - Coffee and Decaf (110 Cord and Plug Required)
- Opt. 70T4 High Speed Jug Fill - Coffee/Water/Decaf (110 Cord and Plug Required)

Model No.	8303		8306		83010	
Heater Size - KW	12 KW	11.5 KW	15 KW		15 KW	
Heater Voltage	240V	208V	240V	208V	240V	208V
Amperes Drawn - 1Ph	50	54	63	72	63	72
Amperes Drawn - 3Ph	29	31	36	42	36	42

For 480-3Ph Supply - divide amperes for 240V-3Ph by 2.  
3 Phase 3 wire requires separate 120V supply for controls (7 Amp.)

#### Electric Services Available

**Note: A ground wire must be provided in addition to the wire service shown.**

#### Neutral Wire Required

120/208V - Single Phase - 3 Wire  
120/208V - Three Phase - 4 Wire  
120/240V - Single Phase - 3 Wire

#### We Supply 3 Wire Cord & Plug for separate 120 VAC

208V - Single Phase - 2 Wire  
208V - Three Phase - 3 Wire  
240V - Single Phase - 2 Wire  
240V - Three Phase - 3 Wire  
480V - Three Phase - 3 Wire - Extra Cost

All services include terminal block connection.



**GRINDMASTER™**  
CORPORATION

Grindmaster® Coffee Grinders and Brewers • PrecisionBrew™ Brewing Systems • Espresso® Espresso Machines  
Crathco® Hot Beverage Dispensers • Crathco® Cold and Frozen Beverage Dispensers • AMW Coffee and Tea Systems  
Tel (502) 425-4776 • Fax (502) 425-4664 • 1-800-695-4500 (USA & Canada only)

P.O. Box 35020 • Louisville, KY 40232 • USA