



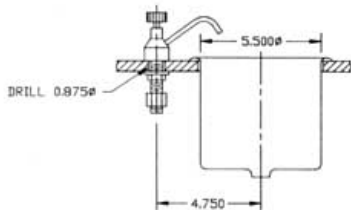
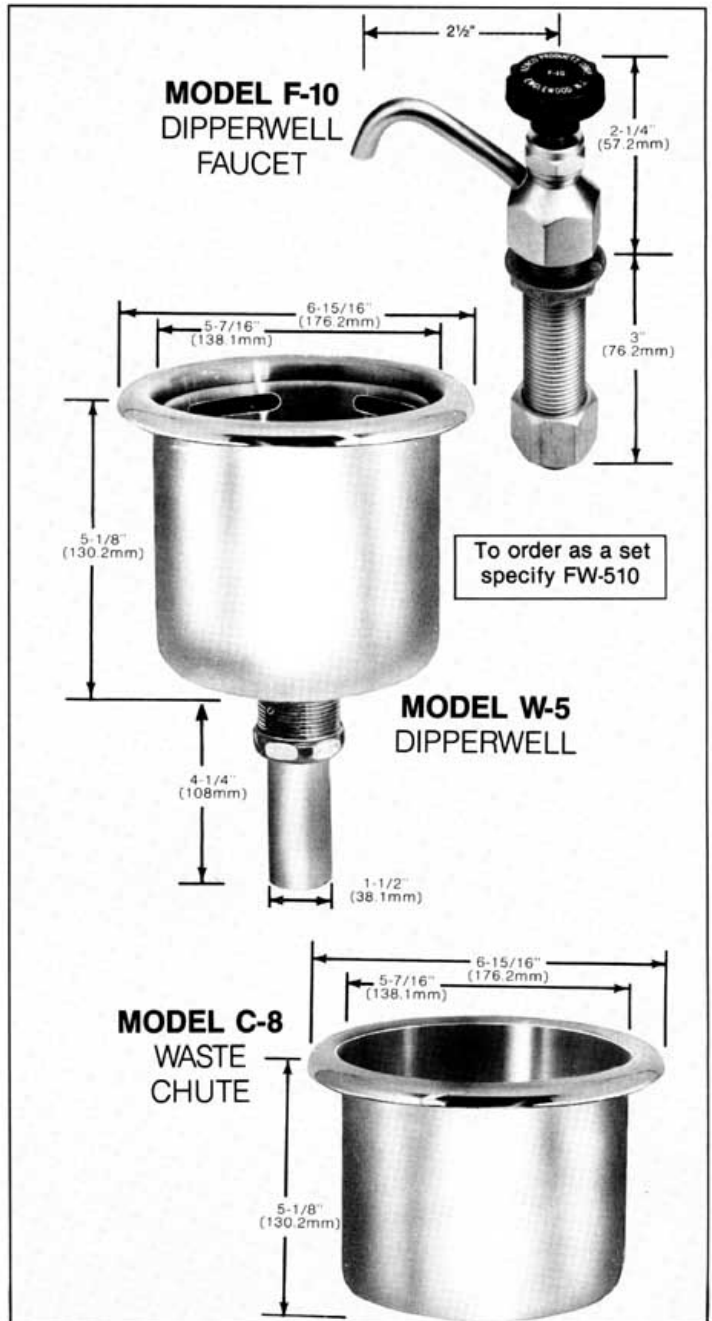
DIPPERWELL-FAUCET & WASTE CHUTE

Regularly Specified by
Leading Architects and
Food Consultants
Throughout the World

KEY FEATURES

- Smooth & sanitary - no food-catching crevices.
- Dipperwell & waste chute constructed of all heavy gauge stainless steel with highly polished counter lip.
- Dipperwell fitted with 1½" diameter 3" long brass tube for drain connection.
- Dipperwell faucet constructed of all heavy duty machined brass with bright chrome finish.
- Dipperwell faucet constructed with standard ½" I.P.S 13/16" dia. shank 3" long - tailpiece bushing accomodates ¼" O.D. tubing, 2½" C-C spout to shank.

Model FW-510	Dipperwell and Faucet Set
Model F-10	Dipperwell Faucet
Model W-5	Dipperwell
Model C-8	Waste Chute



Cecilware sells value... Worldwide.

43-05 20th Avenue, Long Island City, NY 11105

• 718-932-1414
FAX: • 718-932-7860



NK008 10/00