

# "FE" Series Automatic Coffee Urns

With today's demand for a cup of quality coffee, you need a Fast . . . Efficient and Dependable urn that can keep up with high volume customers. Both the "FE" and "CL" Automatic Coffee Urns extract the rich flavor of each coffee grind, bring out its full taste and aroma.



- ✓ **Adjustable By-Pass System** - Gives an operator the ability to adjust the strength of the coffee to bring out its natural robust and full body taste.
- ✓ **Automatic Refill** - Automatically replenishes the Urn jacket with fresh water as soon as it starts running low giving you piping hot water on demand.
- ✓ **Automatic Agitation (FE series only)** - At the end of each brew cycle, all FE urns automatically blend the coffee. Thereafter, just "Push the Button and Walk Away" the FE series agitates the coffee automatically.
- ✓ **Cycle Stop Switch** - Conveniently located on the front panel, the Cycle Stop Switch gives the operator the ability to stop the brew cycle midstream. It's also ideal for cleaning purposes.
- ✓ **Accurate Temperature Control** - Keeps coffee hot all the time.
- ✓ **Thermometer** - located on the front for the Urn, the thermometer indicates when the water is at optimum temperature for brewing coffee 197° - 204°.
- ✓ **Over Flow Tube** - In the event the water shut off valve malfunctions, the Over Flow Tube dispenses the excess water.
- ✓ **FE-200 - Two Brew Buttons** - For high and low volume periods, this feature allows you to brew either 1 or 2 lbs. of coffee at a time by the push of the 1 or 2 lb. brew button.
- ✓ **FE-75 and FE-100** - Brews in one pound batches
- ✓ **FE-300** - Brews in 3 pound batches
- ✓ **Durable Stainless Steel Finish**
- ✓ **Uses Tomlinson Faucet's**

Model #	Description	Cups / Hr. Gal / Hr.	Electric	Dimensions			Ship Weight		
				Electric	Steam	Depth		Width	Height
FE-75	3 gal. Single	432 18	7KW at 120/240-29 Amps 5.3 KW at 120/208-26 Amps AC 60HZ single Phase - 3 wire	✓		17 1/2"	21 1/2"	28 1/2"	75 lbs.
					✓	17 1/2"	21 1/2"	31"	80 lbs.
FE-100* (Gas Avail.)	3 gal. Twin See below	600 25	8 KW at 120/240-33 Amps 6 KW at 120/208-29 Amps AC 60HZ single phase - 3 wire	✓		17 1/2"	33 1/2"	28 1/2"	100 lbs.
					✓	19 1/2"	37 1/2"	31"	125 lbs.
FE-200	6 gal. Twin	720 60	10 KW at 120/240-42 Amps 7.5 KW at 120/208-36 Amps AC 60 HZ single phase - 3 wire	✓	✓	19 1/2"	37 1/2"	33"	130 lbs.
FE-300	10 gal. Twin	1080 45	15 KW at 120/240 35 Amps 11.5 KW at 120/208 30 Amps AC 60 HZ 3 phase - 4 wire	✓	✓	21 1/2"	42"	35"	170 lbs.

**Plumbing:** 1/4" water line required All urns are available with Steam: 15-30 PSI, 120V - 3 amps.  
 \* FE-100G - Available in Natural or L.P. Gas, 32,000 BTU, 120V 3 Amps, Dimensions same as FE100 Steam  
**Special Voltage:** 220V, 380V, 440V - Consult factory for details



# "CL" Series Automatic Coffee Urns

- ✓ **Automatic Refill** - Automatically replenishes the Urn jacket with fresh water as soon as it starts running low giving you piping hot water on demand.
- ✓ **Automatic Agitation** With the "CL" Series, simply "Push and Hold button" for any specified period of time to agitate the coffee.
- ✓ **Electro Mechanical Selector Timer** -
- ✓ **Accurate Temperature Control** - Keeps coffee hot all the time.
- ✓ **TOMLINSON "No Drip" Faucet**



Model #	Description	Cups / Hr. Gal / Hr.	Electric	Dimensions			Ship Weight
				Depth	Width	Height	
CL75	3 gal. Single	432 18	7KW at 120/240-29 Amps 5.3 KW at 120/208-25 Amps AC 50/60HZ single Phase - 3 wire	17½"	21½"	28½"	70 lbs.
CL100	3 gal. Twin	600 25	7 KW at 120/240-29 Amps 5.3 KW at 120/208-25 Amps AC 60HZ single phase - 3 wire	17½"	33½"	28½"	90 lbs.
CL200	6 gal. Twin	720 60	10 KW at 120/240-42 Amps 7.5 KW at 120/208-36 Amps AC 60 HZ single phase - 3 wire	19½"	37½"	33"	130 lbs.

**Plumbing:** ½" water line required. Special Voltage: 220V, 380V, 440V - consult factory for details  
**Options:** 3 phase - 4 wire; Double service with gauge glass

## Manual Pour Over Coffee Urns

**Manual Refill Water Valve**  
 If a water outlet is available, this feature gives you the option to plumb water directly into the urn jacket.

In a class by itself, the MPO coffee urns are unique in their ability to brew coffee where water lines are not available. Constructed of high quality stainless steel, enjoy years of brewing endless gallons of coffee with this urn.

**Optional: Truck Board**



Model #	Coffee Capacity	Water Capacity	Natural Gas BTU / hr. @7"W.C.	Propane Gas BTU / hr. @11"W.C.	Electric		Ship Weight
					1 Phase	3 Phase	
MPO 3	3 gal. Single	8 gal.	13,000	13,000	3 KW, 12.5 Amps	4 KW, 9.6 Amps	50 lbs.
MPO 6	6 gal. Single	10 gal.	13,000	13,000	5 KW, 20.8 Amps	5 KW, 12.0 Amps	60 lbs.
MPO 303	3 gal. Twin	13 gal.	29,000	24,500	5 KW, 20.8 Amps	5 KW, 12.0 Amps	80 lbs.
MPO 606	6 gal. Twin	18 gal.	29,000	24,500	7 KW, 29.2 Amps	8 KW, 19.3 Amps	92 lbs.

**Depth:** 17½"  
**Width:** MPO 3 and MPO 6 - 16"  
 MPO 303 and MPO 606 - 28"  
**Plumbing:** ½" water line required  
**For Gas:** Specify Natural or L.P.  
**Height:** MPO 3 and MPO 303 - 27½"  
 MPO 6 and MPO 606 - 32½"  
**Electrical:** 208/240V; Specify 1 phase or 3 phase



## Chinese Hot Tea Urns

The Chinese Tea Urns have been part of the Cecilware Urn family for over ten years and have proven to be a reliable piece of equipment for brewing hot tea. Using Cecilware's classic Automatic Refill System to replenish the urn jacket with fresh water, steep or brew tea in the liner is simple and easy to do.

- ✓ Automatic Refill System
- ✓ Electro-mechanical Selector Timer
- ✓ Sight Glass
- ✓ Tomlinson "No Drip" Faucet
- ✓ Stainless Steel Body



Model #	Capacity	Brew Rate / Hr.	Electric	Depth	Width	Height	Ship Weight
CH-75	3 gal. Single Urn	15 gal.	6KW at 120/240V, 25 Amps 4.5KW at 120/208V, 22 Amps	17½"	21½"	28½"	75 lbs.
CH-100	3 gal. Twin Urn	22 gal.	7 KW, 120 / 240V, 34 Amps 5.3 KW at 120/208V, 25 Amps	17½"	33½"	28½"	98 lbs.
CH-200	6 gal. Twin Urn	30 gal.	7 KW at 120/240V-29 Amps 8 KW at 120/208V-38 Amps	19½"	37½"	33"	130 lbs.

Plumbing: ½" water line required

## Automatic Water Boilers

**Hot Water... As much as you want,  
When you want it . . . Economically.**

The "ME" series is your reliable, dependable, economical source for a consistent supply of piping hot water for tea, soups and instant hot beverages.

- ✓ Automatic Refill System
- ✓ Precision Multi-Setting Thermostat With Hold Setting
- ✓ Dial Thermometer For Exact Temperature Control
- ✓ Accurate Water Level Gauge
- ✓ Sight Glass
- ✓ Tomlinson "No Drip" Faucet
- ✓ Stainless Steel Body



Model #	Capacity	Electric	Gas	Width	Height	Ship Weight
ME-10E*	10 gal.	✓	N/A	17½"	25½"	44 lbs.
ME-15E*	15 gal.	✓	N/A	17½"	30½"	48 lbs.
ME-10G*	10 gal.	N/A	12,000 BTU	17½"	32"	50 lbs.
ME-15G*	15 gal.	N/A	12,000 BTU	17½"	37½"	62 lbs.

\* FOR WATER BOILERS WITH CHINESE LABELS, USE "C" PREFIX (E.G. CME-10E)

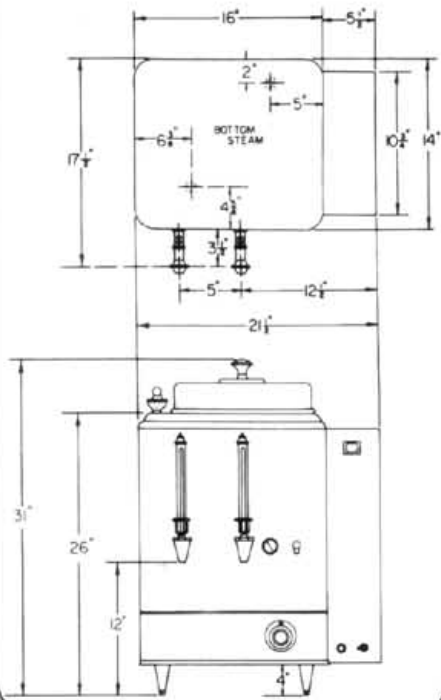
Depth: 19½"

Plumbing: ½" water line required Gas: Natural & L.P.

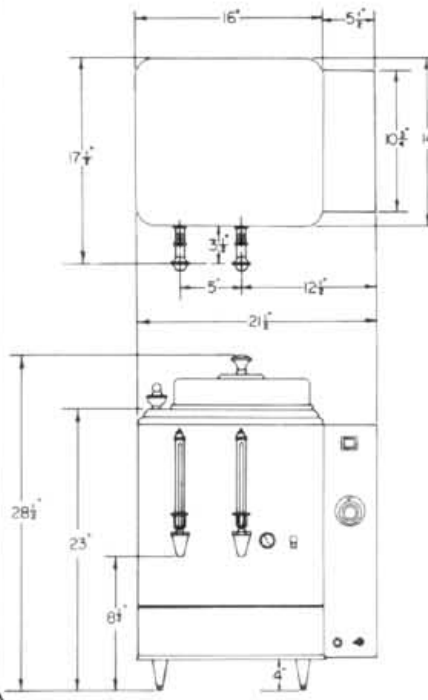
Electrical: 120V, 1.8KW; 208V, 5.3 KW; 240V, 7KW

# Diagrams

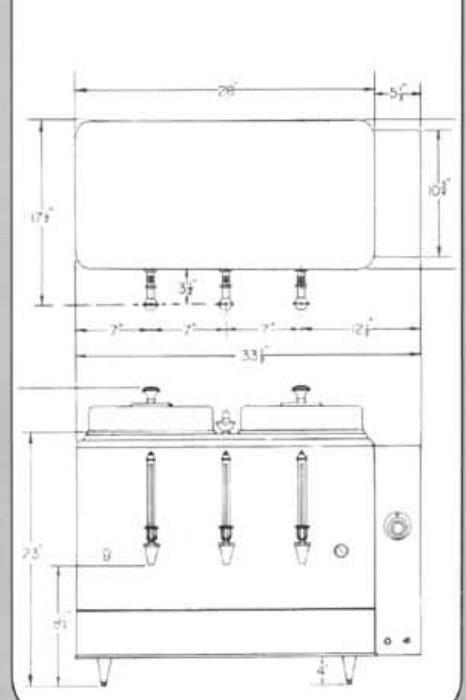
FE-75 STEAM



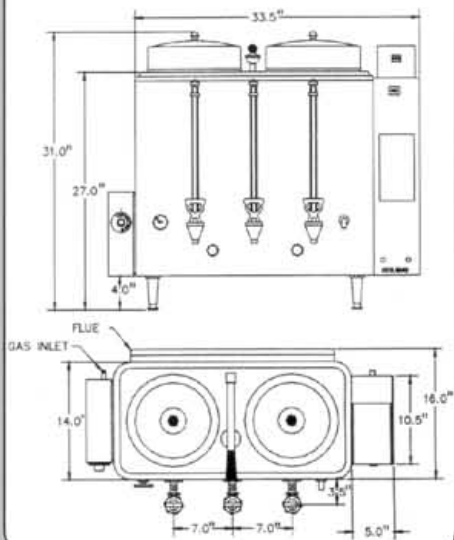
FE75, CL75, CH75 - ELECTRIC



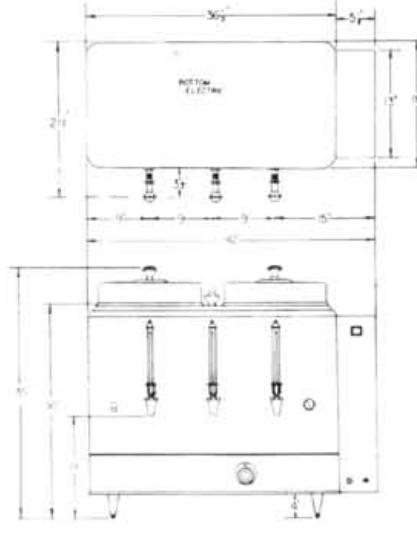
FE-100, CL-100, CH-100



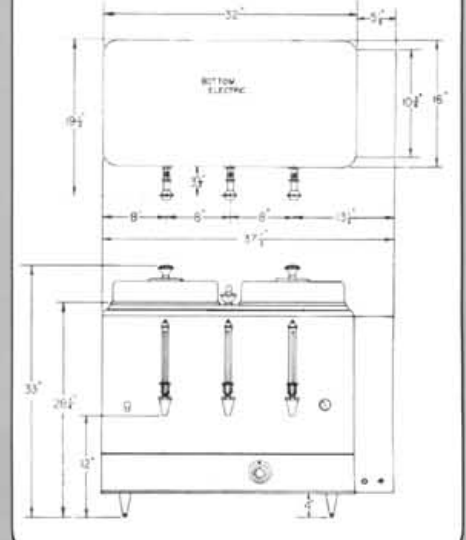
FE-100G



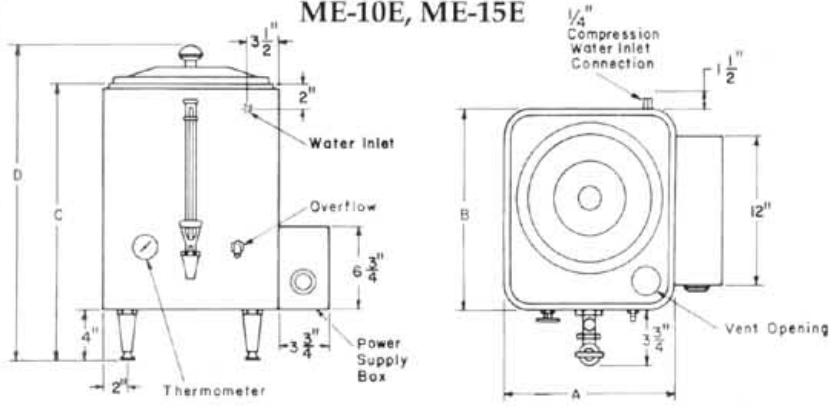
FE-300 ELECTRIC AND STEAM



FE-200, CL-200, CH-200

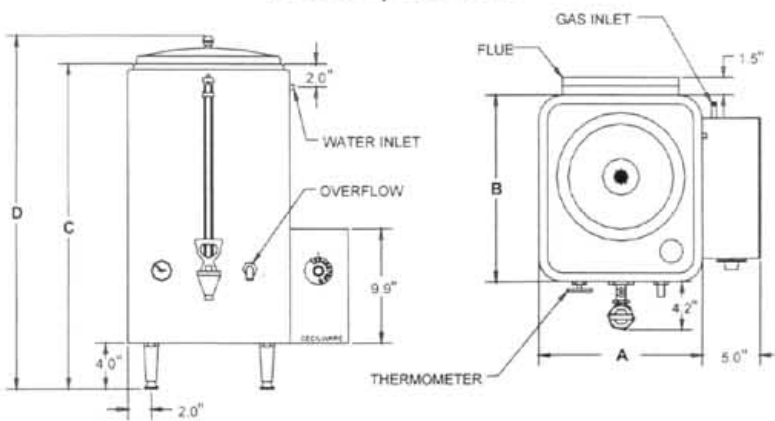


ME-10E, ME-15E

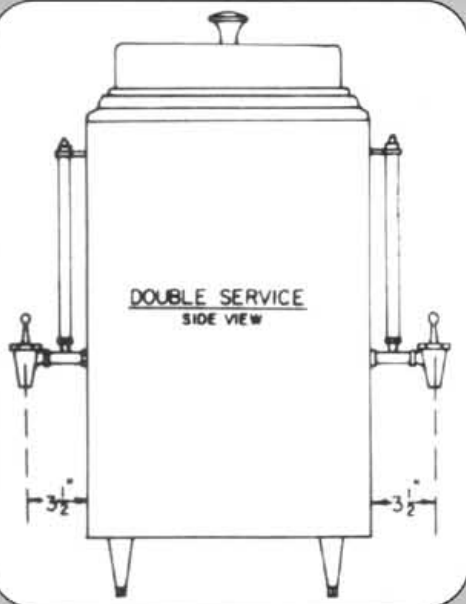
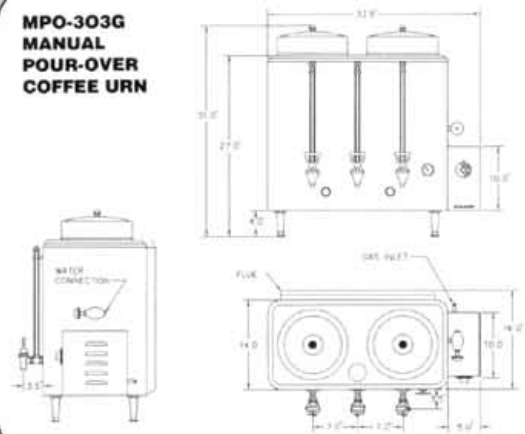


Model #	Dimensions			
	A	B	C	D
ME-10E	14"	16"	22 1/2"	25 1/2"
ME-15E	14"	16"	27 1/2"	30 1/2"
ME-10G	14"	16"	28"	31"
ME-15G	14"	16"	32"	35"

ME-10G / ME-15G



MPO-303G  
MANUAL  
POUR-OVER  
COFFEE URN



## Urn Options

- ✓ Double Service for Single and Twin Urns, with Gauge Glass
- ✓ Dual or Half Brew on FE-75, FE-100, FE-300
- ✓ Faucet Extensions
- ✓ Truck and Shipboard Modification
- ✓ Special Voltages 220V, 380V, 440V
- ✓ 3 Phase Wiring



Cecilware Corporation · 43-05 20th Ave. · LIC, NY 11105  
 Tel: 800.935.2211 718.932.1414 Fax: 718.932.7860  
 Visit us on the internet: [www.cecilware.com](http://www.cecilware.com)