

SIMPLICITY™ BUBBLER® MINI-TWIN

Project	Date	Models	Item#	Quantity
		CS-2E-16, CS-2E-16-S, CS-2E-22, CS-2E-22-S, CS-2E-10, CS-2E-10-S		



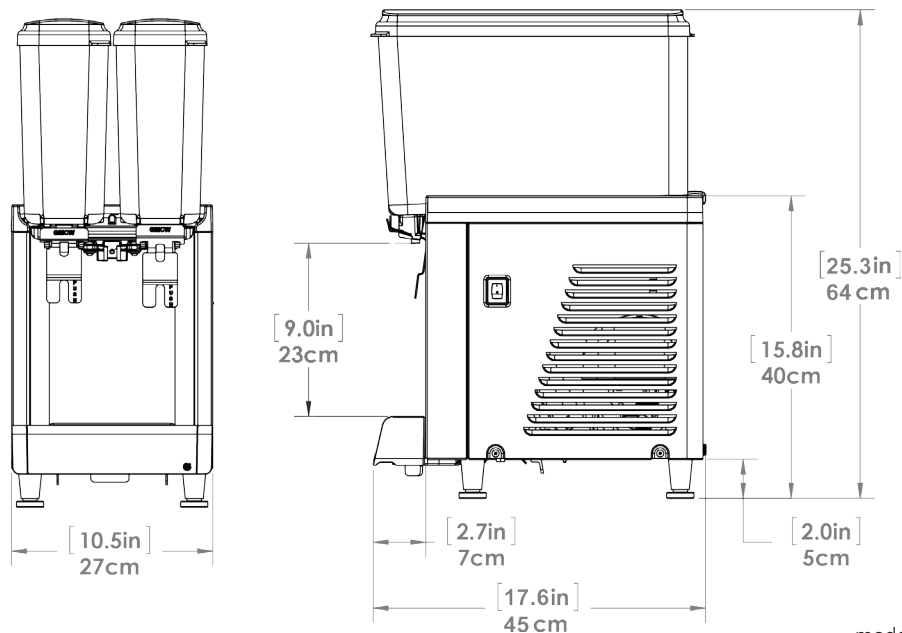
model CS-2E-16-S

Features

- Pre-mix dispenser with stainless steel base and clear plastic bowls.
- Spray or Agitation model available.
- Agitation function for fresh juices, coffees, or teas with minimal foaming system.
- Spray function attracts more customers with dynamic moving product.
- New easy-off bowl release system for faster and easier assembly and disassembly.
- Compact size of 10.5" (27 cm) wide saves valuable counter space.
- Can be placed side by side, due to air intake from bottom and exhaust to back.
- Dispense 2 flavors in 2.4 gallon (9 L) easy-clean bowls with 9" (23 cm) cup clearance.
- User friendly design enables machine to dispense product till the very last drop.
- Less wear, providing longer lifetime of parts.
- Fewer removable parts to simplify cleaning and reduce maintenance.
- Refrigeration: 1/10 HP

Models & Dimensions

Simplicity™ Bubbler® Mini-Twin



model CS-2E represented

Specifications

Model	Description	Certifications	Electrical	Product Dimensions (H x W X D)	Ship Weight - two boxes
CS-2E-16 (231-00016)	Two Bowl Agitator Model	UL, CUL Certification NSF Pending	115V / 60 Hz / 3.6 A	25.3" x 10.5" x 17.6" (64 cm x 27 cm x 45 cm)	72 lbs (base: 53, bowls: 19) 33 kg (base: 24, bowls: 9)
CS-2E-16-S (231-00200)	Two Bowl Spray Model	UL, CUL Certification NSF Pending	115V / 60 Hz / 3.6 A	25.3" x 10.5" x 17.6" (64 cm x 27 cm x 45 cm)	72 lbs (base: 53, bowls: 19) 33 kg (base: 24, bowls: 9)
CS-2E-22 (231-00014)	Two Bowl Agitator Model	CE Certification NSF, CCC, KTC Pending	230V / 50/60 Hz / 1.5 A	25.3" x 10.5" x 17.6" (64 cm x 27 cm x 45 cm)	72 lbs (base: 53, bowls: 19) 33 kg (base: 24, bowls: 9)
CS-2E-22-S (231-00198)	Two Bowl Spray Model	CE Certification NSF, CCC, KTC Pending	230V / 50/60 Hz / 1.5 A	25.3" x 10.5" x 17.6" (64 cm x 27 cm x 45 cm)	72 lbs (base: 53, bowls: 19) 33 kg (base: 24, bowls: 9)
CS-2E-10 (231-00222)	Two Bowl Agitator Model	NSF Pending	100V / 50/60 Hz / 3.6 A	25.3" x 10.5" x 17.6" (64 cm x 27 cm x 45 cm)	72 lbs (base: 53, bowls: 19) 33 kg (base: 24, bowls: 9)
CS-2E-10-S (231-00264)	Two Bowl Spray Model	NSF Pending	100V / 50/60 Hz / 3.6 A	25.3" x 10.5" x 17.6" (64 cm x 27 cm x 45 cm)	72 lbs (base: 53, bowls: 19) 33 kg (base: 24, bowls: 9)

Options

Condenser Filter (210-00118) - Protect your condenser with a simple and easy to clean filter

Merchandiser Kit (231-00227) - Attract more customers to unit with extra graphics

BPA-Free Bowl (231-00009T) - Dishwasher safe

BPA-Free Bowl, Cover (210-00125T) - Dishwasher safe

BPA-Free Cover, Pump (210-00128T) - Dishwasher safe

