

GAS HOT PLATE

Project Date Models **HPCP212, HPCP424, HPCP636** Item# Quantity



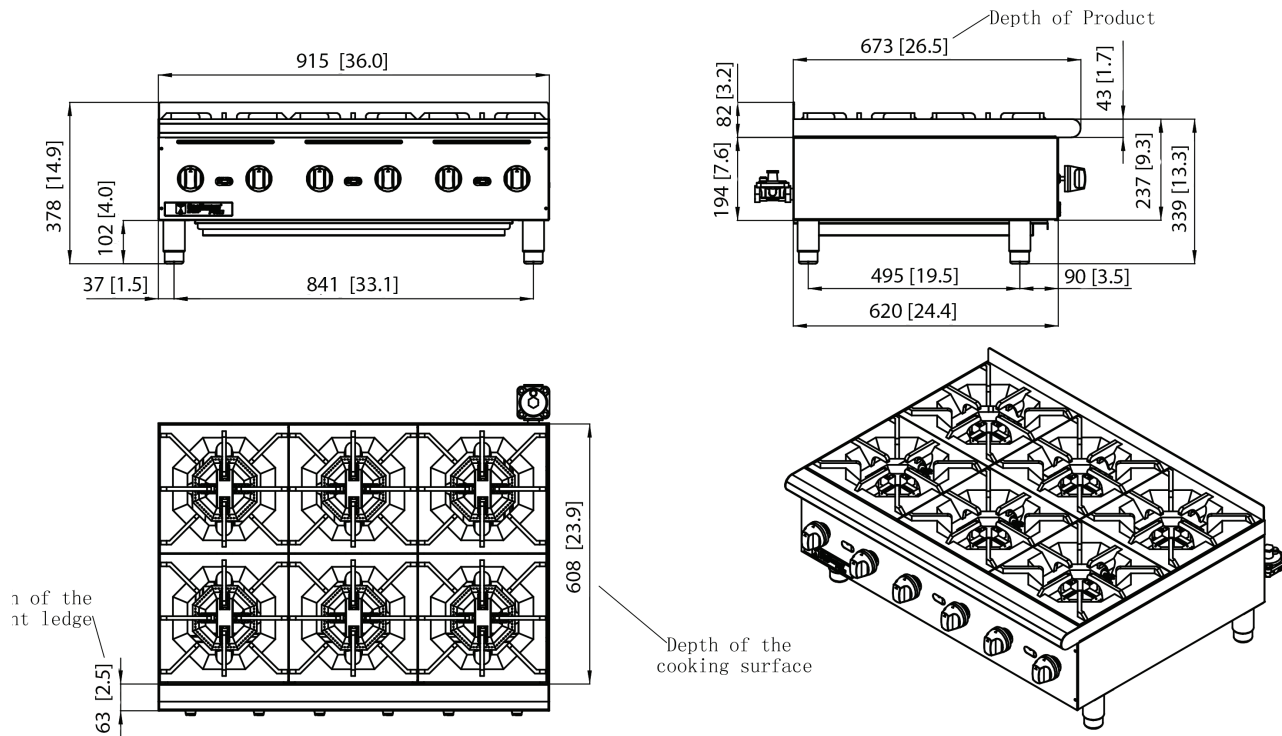
model HPCP636

Features

- Sleek, heavy-duty stainless steel construction for long life and easy maintenance
- All models can be operated using natural or LP gas (conversion kit included)
- Individually controlled burners
- Heavy duty cast iron trivets for a sturdy work surface
- Countertop units with 23.6" depth available in three widths:
 - 12" wide with 2 burners
 - 24" wide with 4 burners
 - 36" wide with 6 burners

Models & Dimensions

Gas Hot Plate



model HPCP636 represented measurements in mm [inches]

Specifications

Model	Cooking Surface	No. of Burners	Power	Product Dimensions	Outer Carton Dimensions	Weight
HPCP212 (6200-2000)	12" W x 20" D mm: 305 W x 510 D	Two	44,000 BTUs	12.0" W x 30.3" D x 13.4" H mm: 305 W x 770 D x 340 H	16.65" W x 30.91" D x 17.99" H mm: 423 W x 785 D x 457 H	70 lbs. 32 kg.
HPCP424 (6200-4000)	24" W x 20" D mm: 606 W x 510 D	Four	88,000 BTUs	24.0" W x 30.3" D x 13.4" H mm: 610 W x 770 D x 340 H	28.54" W x 30.91" D x 17.99" H mm: 725 W x 785 D x 457 H	123 lbs. 56 kg.
HPCP636 (6200-6000)	36" W x 20" D mm: 911 W x 510 D	Six	132,000 BTUs	36.0" W x 30.3" D x 13.4" H mm: 914 W x 770 D x 340 H	40.67" W x 30.91" D x 17.99" H mm: 1033 W x 785 D x 457 H	176 lbs. 80 kg.

