



**GRINDMASTER™**  
CORPORATION

Item # \_\_\_\_\_

Project \_\_\_\_\_

Date \_\_\_\_\_

## Model PIC-6 Six Flavor Powdered Specialty Beverage Dispenser



- More flavors, more choices, more customers: flavored cappuccinos, gourmet cocoas, chai tea, milk steamers, cider, coffee, tea, hot chocolate, soup.
- 270° high impact graphics with stopping power - large, bold, front-lit graphics and full coverage side merchandisers\* draw more attention and sales.
- Oversized push buttons invite customers to dispense. Microswitch reliability tested to 10,000,000 cycles.
- Curved panel and cup guide on drain tray allow easy self-service without waste.
- Large, Clear-View™ hoppers offer fast product level visibility.
- Direct Drive Hoppers - self-aligning pin and link hopper drive system for easy install.
- More is better... 2 gallon (8 liter) drain tray holds more so you can empty it less. Drain connect option included.
- Patented safety rib on dispense nozzle assures cups don't catch.
- Generous cup clearance allows space for popular C-Store cup sizes.
- Insulated high capacity 5 gallon (19L) water tank for peak demand - economically operates at standby - for about the same cost as a 75W lightbulb.
- Durable metal construction stands up to the test of time - even in the busiest locations!
- Easy access graphics cover over light, easy to change "channel mounted" side graphics.

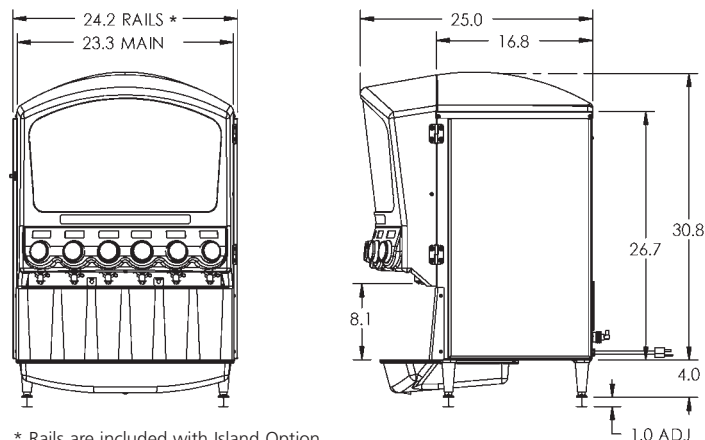
\* side merchandisers are optional - see Island Option



**GRINDMASTER™**  
CORPORATION

Grindmaster® Coffee Grinders and Brewers • PrecisionBrew™ Brewing Systems • Espresso® Espresso Machines  
Crathco® Hot Beverage Dispensers • Crathco® Cold and Frozen Beverage Dispensers • AMW Coffee and Tea Systems  
Tel (502) 425-4776 • Fax (502) 425-4664 • 1-800-695-4500 (USA & Canada only)  
P.O. Box 35020 • Louisville, KY 40232 • USA  
www.grindmaster.com • email: info@grindmaster.com

# Model PIC-6 - Six Flavor Powdered Specialty Beverage Dispenser



\* Rails are included with Island Option

Specifications	PIC-6 (120V / 60Hz)
Volts/Watts/Amps	PIC-6: 120V-60Hz / 1650W / 14A PIC-6CUL: 120V-60Hz / 1400W / 12A
Water Line	1/4" (6.35mm) flare
Water Tank Size	5 gallon (1.9 L) insulated tank
Cup Clearance	8.1" (21 cm)
Dimensions (H x W x D)	34.8"-35.8" H x 24.2" W x 25" D (88 - 91 cm x 62 cm x 64 cm)
Ship Dimensions (H x W x D)	44" H x 30.25" W x 30.25" D 112 cm x 77 cm x 77 cm
Weight	120 lbs. (54 kg)
Ship Weight	144 lbs. (65 kg) <i>(does not include pallet)</i>
Listings	UL, NSF, CUL

Specifications are subject to improvement or change without notice.

## Standard Options\*

Dual Pinwheel in Hopper	Helps prevent dense products from "bridging" in hopper.
Water Pump (Part # 60568) (115V/60Hz)	External water pump allows standard machine to operate off of remote or bottled water supply.
Island Option	Full coverage side merchandisers expand coverage to a high impact 270°.

## Custom Options\* (available with minimum purchase quantity)

Key Lock	Lock on door offers added security.
Soluble Coffee Option	Serve fresh, hot coffee fast using your soluble coffee. Available on 1 to 6 dispense heads (specify number of heads).
High Capacity Output (add "Q" to model number)	2500W heater offers extra quick recovery for added capacity (120/240V / 2500W / 60Hz).

\* Additional cost applies



**GRINDMASTER™**  
CORPORATION



Grindmaster® Coffee Grinders and Brewers • PrecisionBrew™ Brewing Systems • Espresso® Espresso Machines  
Crathco® Hot Beverage Dispensers • Crathco® Cold and Frozen Beverage Dispensers • AMW Coffee and Tea Systems  
Tel (502) 425-4776 • Fax (502) 425-4664 • 1-800-695-4500 (USA & Canada only)

P.O. Box 35020 • Louisville, KY 40232 • USA