

The Pizza & Baking Oven



By Cecilware

The Counter-Top Oven That Turns Your Business Into A Pizzeria!

Special Features include:

- ✓ Thermostat - adjustable up to 650° F.
- ✓ Built-in Adjustable Timer - Set the cooking time for up to 60 minutes. The timer alerts the operator when the food is ready.
- ✓ Oven Ready Light - Lets the operator know that the oven is hot and ready to be used.
- ✓ Stainless Steel Construction

Combining an oven with compactability, gives you the versatility needed to create additional profit centers for your foodservice establishment.

The Pizza Oven and Baking Oven offers you effortless cooking of Pizza, Heros / Subs, Pretzels, Baked Dishes and much more.



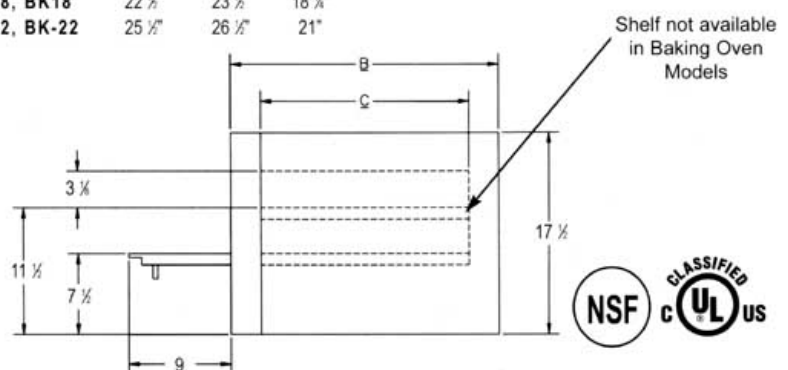
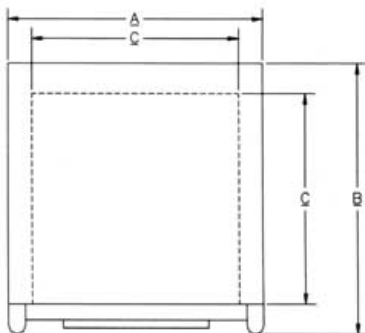
Model #	Oven Shelf	Electrical	Overall Depth	Width	Ship Weight
Pizza Oven					
PO-18*	18 1/4"	120V / 15A / 1800W	32 1/2"	22 1/2"	138 lbs.
PO-18-220	18 1/4"	220V / 13A / 2850W	32 1/2"	22 1/2"	138 lbs.
PO-22	21"	220V / 16.4A / 3600W	35 1/2"	25 1/2"	145 lbs.
Baking Oven					
BK-18	18 1/4"	120V/14.2A/1700W	32 1/2"	22 1/2"	116 lbs.
BK-18-220	18 1/4"	220V/8.5A/1850W	35 1/2"	25 1/2"	123 lbs.
BK-22**	21"	220V/10A/2200W	35 1/2"	25 1/2"	123 lbs.

* This unit is for prebaked crust only and is not recommended for fresh dough or pan pizza baking
 ** Comes with Corderite ceramic baking deck PO-22 uses NEMA 6-20P
 PO-18, BK-18 uses NEMA 5-15P; PO-18-220, BK-18-220, BK-22 uses NEMA 6-15P

Features

- ✓ **Baking Deck -**
The Pizza Oven comes with (2) Corderite ceramic baking decks, 3" clearance, which gives the operator the ability to cook pizza, pretzels and bread products directly on the baking surface.
The Baking Oven comes with (1) 14 gauge high heat Aluminized Steel baking deck (except for BK-22 which comes with (1) Corderite ceramic baking deck), 7" clearance. Perfect for cooking pan pizza, breads or any product that is encased in a pan. Both decks distribute heat evenly and won't burn the bottom surfaces.
- ✓ **Heating Elements -** For proper heating, all ovens come equipped with heavy duty incoloy steel tubular heating elements located on the top of the oven and underneath each baking deck.
The Pizza Oven comes with (3) heating elements.
The Baking Oven comes with (2) heating elements.
- ✓ **Electrical -** 120V or 220V. Can connect to 208V or 240V.
- ✓ **Interior -** constructed of 18 gauge high heat aluminized steel.
- ✓ **Exterior and Door -** constructed of 20 gauge Stainless Steel type 430, #4 finish.
- ✓ **Insulation -** 1.5" thick industrial grade insulation
- ✓ **Timer -** The timer is an alert timer and does not shut off the oven.
The Pizza Oven timer can be set for up to 15 minutes.
The Baking Oven timer can be set for up to 60 minutes.
- ✓ **Line Cord -** Standard with a 6' line cord.
- ✓ **Stackable -** Both ovens are stackable.
- ✓ **PO-18, BK-18 -** can fit up to a 16" pizza; **PO-22, BK-22 -** can fit up to a 18" pizza.
- ✓ **Options: 4" adjustable legs**
 Corderite ceramic hearth baking deck for The Baking Oven (BK-18)

Model	A	B	C
PO-18, BK18	22 1/2"	23 1/2"	18 1/2"
PO-22, BK-22	25 1/2"	26 1/2"	21"



We Know What's Cookin'!

Cecilware Corporation
 43-05 20th Ave. LIC, NY 11105
 Tel: 800.935.2211 718.932.1414 Fax: 718.932.7860
 Visit us on the internet: www.cecilware.com