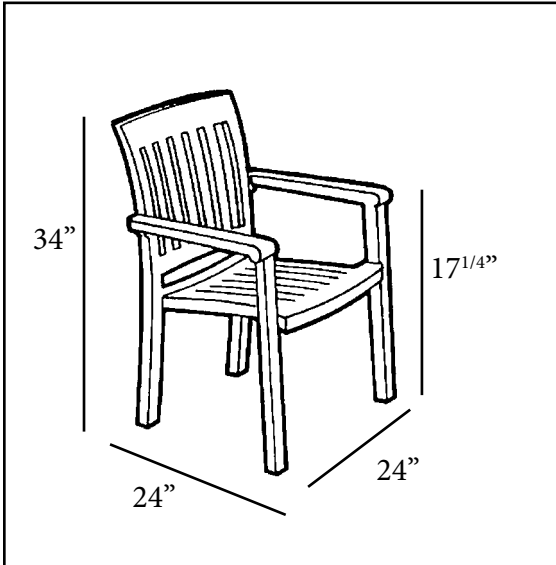




COMMERCIAL RESIN FURNITURE

*Your best value for Food Service & Hospitality!*

# Atlantic Classic Stacking Armchair



**Passes ASTM F 1561-96 Class B  
performance standard for commercial outdoor seating**

**Features & Benefits** **Warranty: 3 Yrs.**

- Elegant and sturdy highback armchair for fine dining in hospitality environments.
- Spacious seat back with wide armrests for extra comfort.
- Rated to 300 pounds for safe use in a commercial environment.
- Wood grained with a satin finish.
- 2" x 2" leg with hard wearing footpads for structural rigidity.
- Made of 100% U.V. resistant prime resin, a material impervious to salt air, chlorine, and most common food stains.
- Low maintenance item: no straps to replace, no refinishing to be done, easy to clean with soap and water.
- Stacks for easy storage.

**Product Specifications**

Product Description	Reference Number	Color	UPC Code 014306	Weight Each (lbs.)	Master Pack	Master Pack Volume (cu. ft.)
Atlantic Classic Stacking Armchair	49442004	White	109084	10.33	12	40.25
	US442004	White	109084	10.25	4	17.09
	49442078	Amazon Green	109060	10.33	12	40.25
	US442078	Amazon Green	109060	10.25	4	17.09
	49442008	Teakwood	710396	10.33	12	40.25
	US442008	Teakwood	710396	10.25	4	17.09