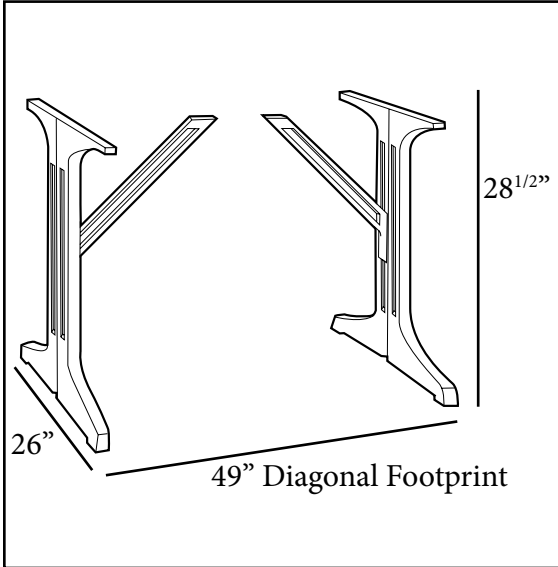




COMMERCIAL RESIN FURNITURE

Your best value for Food Service & Hospitality!



Resin Lateral Base 1000

Features & Benefits **Warranty: 2 Yrs.**

- Specifically designed for Grosfillex 48" x 32" with umbrella hole food service molded melamine tables.
- Heavy duty four-prong resin base for extra stability.
- Made of 100% prime resin, a material impervious to moisture, salt air, chlorine.
- Anti-skid glides for extra stability and resistant to wear.
- Available in two colors to custom design your Grosfillex table with full table top complements.

| Product Specifications | | | | | | |
|-------------------------------|------------------|----------|----------|--------------------|-------------|------------------------------|
| Product Description | Reference Number | Color | UPC Code | Weight Each (lbs.) | Master Pack | Master Pack Volume (cu. ft.) |
| Resin Lateral Base | Charcoal | 55618302 | 134628 | 15.00 | 1 | 1.65 |
| | Bronze Mist | 55618337 | 908434 | | | |
| | | | | | | |