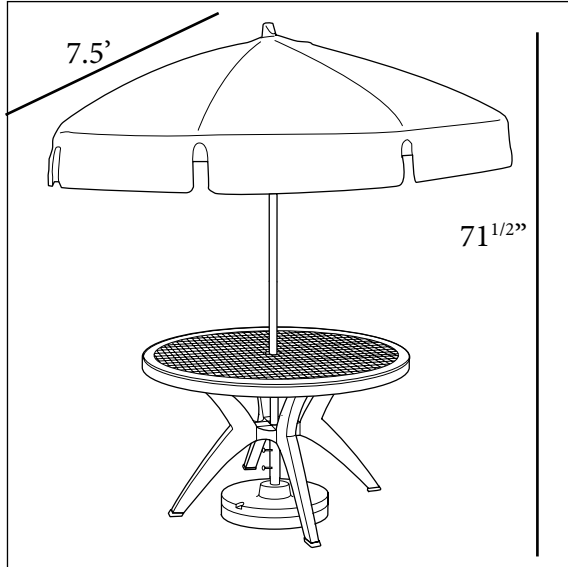




COMMERCIAL RESIN FURNITURE

Your best value for Food Service & Hospitality!



# 7.5' Round Push Up Umbrella

## with 1 1/2" Aluminum Pole

**Features & Benefits** **Warranty: 1 Yr. on Grade A Fabric**

- 7.5 ft. push up umbrella, specifically made for commercial use - 95% sunscreen.
- 1 1/2" heavy gauge powder coated aluminum pole for strength and resistance to corrosion.
- Heavy duty wire ribs for strength.
- New selection of spun solution dyed olefin trendy fabric (Grade A) color - Apple Green to coordinate with Grosfillex furniture.
- Fully tested to 1000 hours for fade resistance in laboratory tests to meet ASTM G53-96 performance standards for commercial outdoor furniture fabric.
- Fabric complies with ACFFA requirements.
- Hard wearing, excellent shape retention.
- Easy to clean and maintain, mildew resistant with proper care.
- Can be color-coordinated with Grosfillex exterior cushions.

**Product Specifications**

| Product Description                             | Reference Number | Color       | UPC Code         | Weight Each (lbs.) | Master Pack | Master Pack Volume (cu. ft.) |
|---|------------------|-------------|------------------|--------------------|-------------|------------------------------|
| 7.5' Push Up Umbrella with 1 1/2" Aluminum Pole | 98268031         | Apple Green | 014306<br>138169 | 13.00              | 1           | 1.38                         |
|   |                  |             |                  |                    |             |                              |
|   |                  |             |                  |                    |             |                              |

*Available Base Options:*

- 35 lb. Table Umbrella Base with 10" Stem
- Optional 35 lb. Base Ring
- Resin Umbrella Base with Fill Cap
- 82 lb. Umbrella Base with Wheels