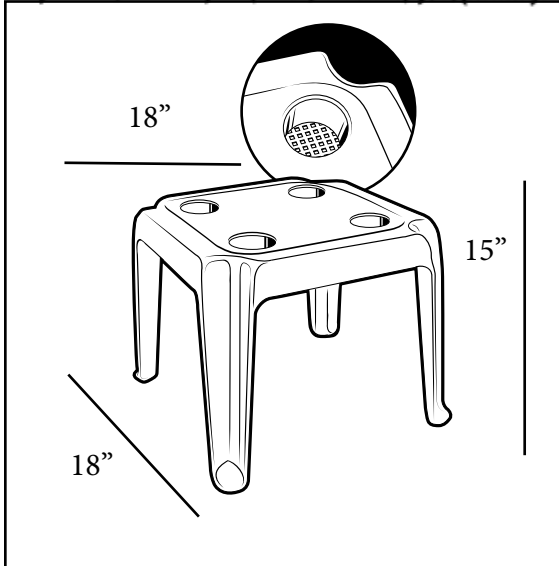




COMMERCIAL RESIN FURNITURE

Your best value for Food Service & Hospitality!



Oasis 18" x 18" Stacking Low Table with Cupholders

Features & Benefits **Warranty: 1 Yr.**

- Built-in cup holders with perforated bottom for easy cleaning.
- Well suited for 16 oz.+ cups.
- One piece molded construction.
- Constructed of 100% prime synthetic resin, a material naturally impervious to salt air, chlorine, and most common food stains.
- Stays cool in the hot sun.
- Stacks for easy storage.
- Essential complement piece for beach, pool decks, and balconies with chairs or chaise lounges.
- Cleans easily with soap and water.

| Product Specifications | | | | | | |
|---|------------------|-------|---------------|--------------------|-------------|------------------------------|
| Product Description | Reference Number | Color | UPC Code | Weight Each (lbs.) | Master Pack | Master Pack Volume (cu. ft.) |
| Oasis 18" x 18" Low Table with Cupholders | 99018004 | White | 014306 121796 | 4.79 | 14 | 8.40 |
| | | | | | | |
| | | | | | | |
| | | | | | | |