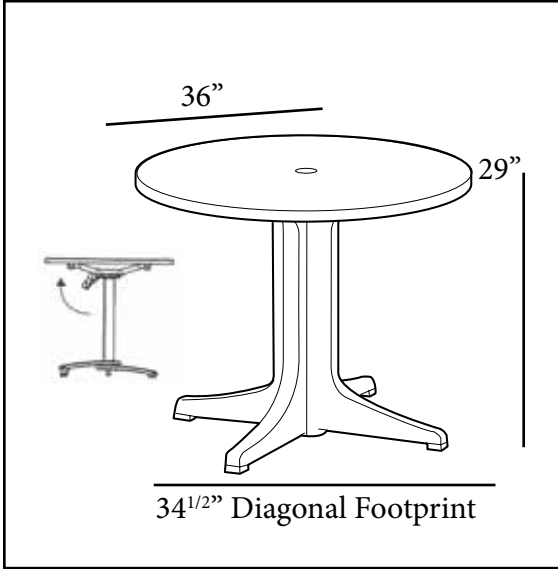




COMMERCIAL RESIN FURNITURE

Your best value for Food Service & Hospitality!



36" Round Molded Melamine Tabletop

with umbrella hole

Features & Benefits **Warranty: 2 Yrs.**

- Trendy marble, granite finish, textured, or deco tops to complement all Grosfillex chairs.
- Hard, smooth molded tabletop made of a molded wood/resin body with a fusion bonded melamine top.
- Stain, burn, scratch, and fade resistant.
- Use Grosfillex's wide 4-prong central resin pedestal base 2000, tilt top aluminum base 200 base, or bar height tulip table base with anti-skid glides for stability.
- Large 1 1/2" umbrella hole with protective resin fitting and cap. No need for umbrella base.
- Cleans easily with soap and water.
- Specifically designed and engineered for fine dining in hospitality environments.
- Customize designs by mixing and matching tabletops and bases.
- Top and Base sold separately.

Product Specifications

Product Description	Reference Number	Color	UPC Code 014306	Weight Each (lbs.)	Master Pack	Master Pack Volume (cu. ft.)
36" Round Molded Melamine Tabletop with umbrella hole Use Resin Ped Base 2000 or Tilt Top Aluminum Base 200 or Bar Height Tulip Table Base	99811002	Tokyo Stone	141817	24.00	1	1.78
	99811037	Onyx Marble	141824			
	99811008	Teak Decor	141831			
	99811018	Wicker	910093			
	9981TT37	Textured Boulder	143071			