

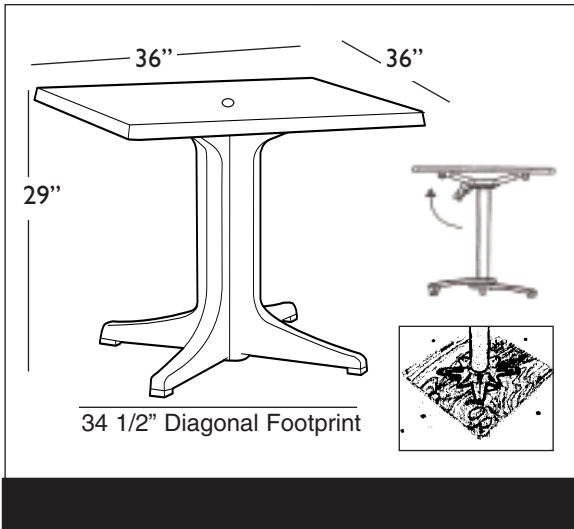


COMMERCIAL RESIN FURNITURE

Your best value for Food Service & Hospitality!



INTERIOR & EXTERIOR  
Tables



# 36" Square Molded Melamine Pedestal Table with & without Umbrella Hole

## Features and Benefits

- Trendy marble, granite finish, or deco tops to complement all Grosfillex Green, Black, Bordeaux, Bronze Mist, Charcoal, and Sandstone chairs.
  - Specifically made for fine dining in hospitality environments.
  - Heavy duty molded table top made from a wood/resin body sealed with a fusion bonded melamine top cover and backer.
  - Resists stains, burns, scratches, and discoloration by the sunlight.
  - 1-1/2" umbrella hole with protection insert and cap will accommodate any Grosfillex® umbrella with 1 1/2" pole - no need for an umbrella base.
  - Rugged 4-prong resin pedestal base 2000 or tilt top aluminum base 200 with anti-skid glides and one leg leveler for balancing on uneven surfaces.
  - Cleans easily with soap and water.
  - Tables can be custom designed by mixing and matching table top and bases.
- WARRANTY: 2 Years.

## PRODUCT SPECIFICATIONS

Product Description	Color	Reference Number	UPC Code 014306	Weight Each (lbs.)	Master Pack	Master Pack Volume (cu. ft.)
36" Square Table Top with Umbrella Holes New Color!	White	99871004	112398	31.00	1	2.38
	Granite Green	99871025	112374			
	Onyx Marble	99871037	129143			
	Catalan	99871058	908519			
	Tokyo Stone	99871002	132679			
	Granite Sand*	99871166	139722			
	Onyx Marble*	99871137	139708			
	Tokyo Stone*	99871102	139715			
	Granite Green*	99871125*	139739			
	Teak Decor*	99871108	139753			
20" x 20" Mounting Plate	Natural Wood	US624201	129907	2.50	1	.12
Resin Pedestal Base 2000	White	US623204	700007	16.00	1	2.75
	Charcoal	US624202	116228			
	Bronze Mist	US624237	128122			
	Bordeaux	US624267	702056			
	Amazon Green	US624278	708058			
	Teakwood	US624208	131528			
Alum. Tilt Top Base 200	Black	US809017	140162	18.00	1	2.18
	Silver Gray	US809009	141589			

\*Without umbrella hole