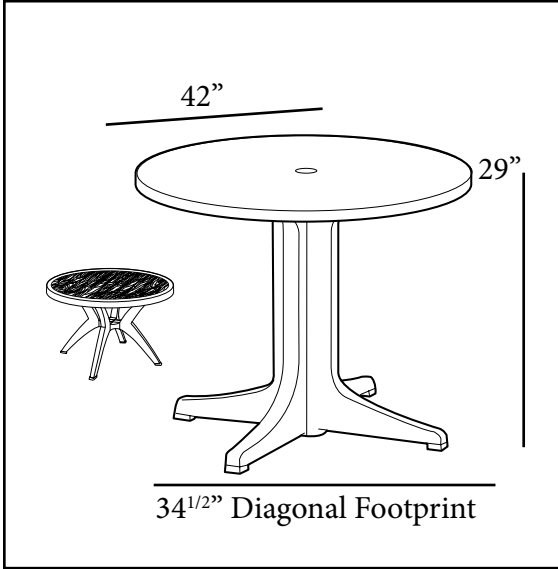




COMMERCIAL RESIN FURNITURE

Your best value for Food Service & Hospitality!



42" Round Molded Melamine Tabletop

with umbrella hole

Features & Benefits **Warranty: 2 Yrs.**

- Trendy marble, granite finish, textured or deco tops to complement all Grosfillex chairs.
- Hard, smooth molded tabletop made of a molded wood/resin body with a fusion bonded melamine top.
- Stain, burn, scratch, and fade resistant.
- Use Grosfillex's wide 4-prong central resin pedestal base 2000, tilt top aluminum base 200 base, or bar height tulip table base with anti-skid glides for stability.
- Large 1 1/2" umbrella hole with protective resin fitting and cap.
- Cleans easily with soap and water.
- Specifically designed and engineered for fine dining in hospitality environments.
- Customize designs by mixing and matching tabletops and bases.
- Top and Base sold separately.

Product Specifications						
Product Description	Reference Number	Color	UPC Code	Weight Each (lbs.)	Master Pack	Master Pack Volume (cu. ft.)
42" Round Molded Melamine Tabletop with umbrella hole Use Resin Ped Base 2000 or Y-Leg Base, or Bar Height Tulip Table Base	99881002	Tokyo Stone	132419	33.00	1	2.38
	99881004	White	117027			
	99881025	Granite Green	117041			
	99881058	Catalan	908489			