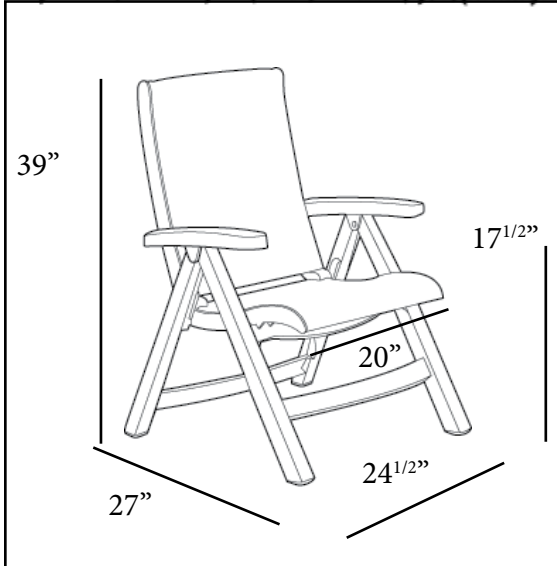




COMMERCIAL RESIN FURNITURE

Your best value for Food Service & Hospitality!



Jersey Midback Folding Sling Chair

Meets the performance standards of EN 581-1 and EN 581-2 for commercial use.

Features & Benefits **Warranty: 3 Yrs.**

- Specifically designed to provide comfort and ease of utilization and storage in hospitality environments.
- Grosfillex® high strength fabric specifically woven to meet the stringent requirements for color fastness, resistance to soiling and wear & tear on balconies and in the public areas of resorts, hotels and motels.
- Color coordinates with all Grosfillex® resin sling chaises: Nautical, Marina, Catalina, and Calypso.
- Rated to 300 lbs. in compliance with the requirements of EN 1728 for non-residential use.
- Hard wearing footpads for extra wear resistance on hard deck surfaces.
- Folds flat for easy storage.
- Easy to clean - simply powerwash!
- A locking device secures the seat of the chair into position for safe use.

Product Specifications						
Product Description	Reference Number	Color	UPC Code	Weight Each (lbs.)	Master Pack	Master Pack Volume (cu. ft.)
Jersey Midback Folding Sling Chair <i>White Frame</i>	CT089004	Hunter Green	014306 134772	15.69	2	17.84