



COMMERCIAL RESIN FURNITURE

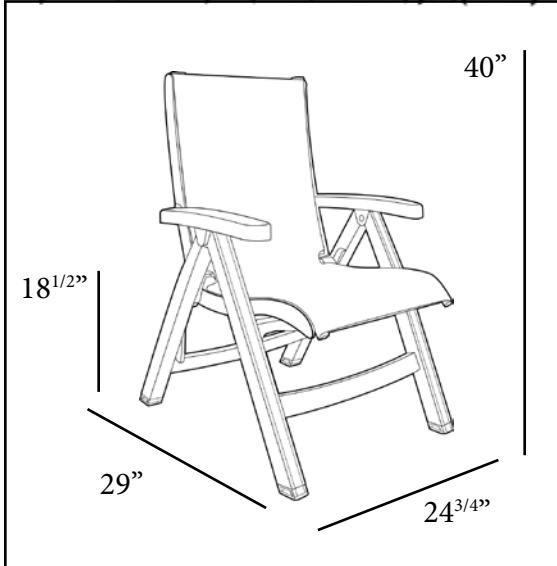
Your best value for Food Service & Hospitality!

New Colors!

Belize Midback Folding Sling Chair

Meets the performance standards of EN 581-1 and EN 581-2 for commercial use.

Sling is Easy to Replace!



Features & Benefits Fabric: 3 yr. limited warranty • Frame: 3 yr. commercial warranty

- Specifically designed to provide comfort and ease of utilization and storage in hospitality environments.
- Grosfillex® high strength textilene fabric specifically woven to resist discoloration by the sunlight, mold & mildew, sagging, soiling and wear & tear on balconies and in the public areas of resorts, hotels, and motels.
- Color coordinates with all Grosfillex® resin sling chaises: Nautical, Marina, Catalina, and Calypso.
- Rated to 300 lbs. in compliance with the requirements of EN 1728 for non-residential use.
- Hard wearing footpads for extra wear resistance on hard deck surfaces.
- Folds flat for easy storage.
- Easy to clean - simply powerwash!
- A locking device secures the seat of the chair into position for safe use.
- Easy to replace sling fabric for repair or renovation.

Product Specifications

Product Description	Reference Number	Color	UPC Code	Weight Each (lbs.)	Master Pack	Master Pack Volume (cu. ft.)
White Frame	CT532004	Blue	907567	21.46	2	8.57
	CT352004	Khaki	907581			
	CT393004	Fern Green	909639			
New Sling Color!	CT354004	Spa Blue	912448			
Bronze Mist Frame	CT352037	Khaki	143019			
Teakwood Frame	CT352008	Khaki	907574			
New! Sandstone Frame	CT355066	Taupe	912431			