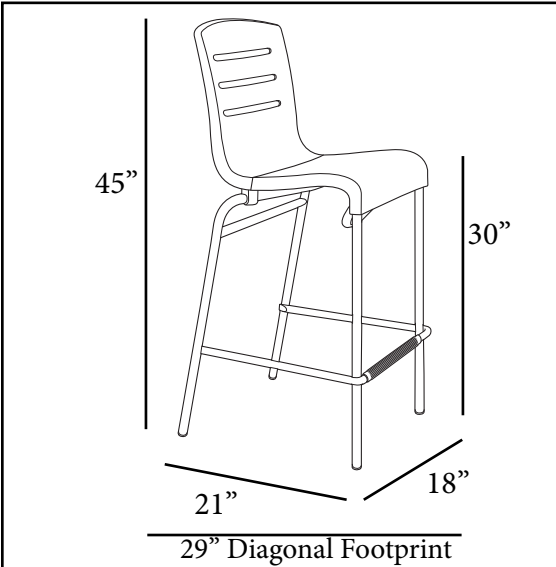




New!



Domino Stacking Barstool

Seat and footrest tested to 400 lbs. static load and 150 lb. impact test.

Features & Benefits **Warranty: 3 Yrs.**

- Indoor stacking barstool specifically designed for versatility of use in many contemporary environments.
- Strong metal legs and hard wearing footpads for extra stability.
- Stacks for easy storage.
- Rated to 300 lbs. for safe use in commercial areas.
- Easy to clean with soap and mild detergent and water.
- Coordinates with Domino Stacking Chair.

Product Specifications						
Product Description	Reference Number	Color	UPC Code 014306	Weight Each (lbs.)	Master Pack	Master Pack Volume (cu. ft.)
New! Domino Stacking Barstool	US510152	Fern Green/White	912561	17.03	8	64.80
	US051152	Fern Green/White	912561	17.37	2	19.30
	US510019	Orange/White	912578	17.03	8	64.80
	US051019	Orange/White	912578	17.37	2	19.30
	US510414	Red/White	912585	17.03	8	64.80
	US051414	Red/White	912585	17.37	2	19.30
	US510017	Black/White	912592	17.03	8	64.80
	US051017	Black/White	912592	17.37	2	19.30
	US514413	Beige/Taupe	912608	17.03	8	64.80
	US051413	Beige/Taupe	912608	17.37	2	19.30