

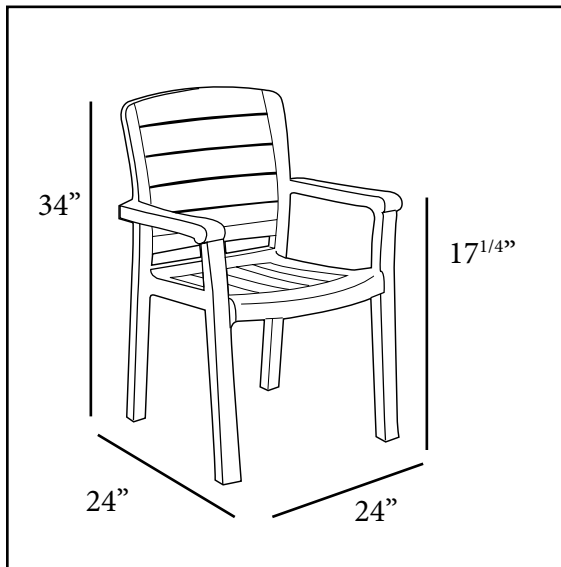
# Grosfillex

COMMERCIAL RESIN FURNITURE

Your best value for Food Service & Hospitality!

## Acadia Stacking Armchair

Passes ASTM F 1561-96 Class B  
performance standard for commercial outdoor seating



### Features & Benefits

**Warranty: 3 Yrs.**

- Wood grained with a satin finish.
- Classy ladder-back design coordinates with the Atlantis Table Collection.
- Commercial grade outdoor armchair specifically made for food service and hospitality use.
- Rated to 300 pounds for safe use in commercial environments.
- Contoured seat and back for ergonomic comfort.
- 2" x 2" legs with hard wearing footpads for structural rigidity.
- Made of 100% prime resin, a material naturally impervious to salt air, chlorine and most common food and environmental stains.
- Specifically formulated to provide long-lasting resistance to U.V. light discoloration.
- Low maintenance item:
  - No refinishing
  - Easy to clean with soap and water
- Stacks for easy storage.

### Product Specifications

Product Description	Reference Number	Color	UPC Code 014306	Weight Each (lbs.)	Master Pack	Master Pack Volume (cu. ft.)
Acadia Stacking Armchair	46119004	White	108032	10.67	12	40.25
	US119004	White	108032	10.50	4	17.27
	46119078	Amazon Green	107950	10.67	12	40.25
	US119078	Amazon Green	107950	10.50	4	17.27
	46119008	Teakwood	108056	10.67	12	40.25
	US119008	Teakwood	108056	10.50	4	17.27