

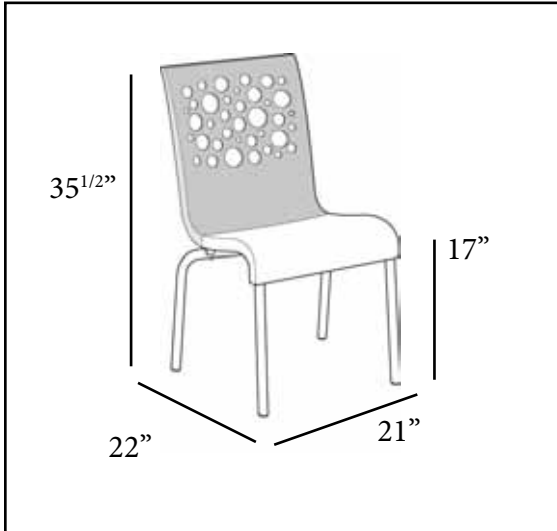


New Color!

Tempo Stacking Chair

Meets the performance standards of EN 581-1 and EN 581-2 for commercial use.

Tested in accordance with and passes each test procedure utilized in ASTM F 1561-96 Class B performance standard for commercial seating.



Features & Benefits **Warranty: 3 Yrs.**

- Unique, 2-color designer chair with a young & fun bubbly personality and european design.
- Strong metal legs and hard wearing footpads for extra stability.
- Indoor stacking chair specifically designed for versatility of use in many contemporary environments.
- Perfect for use in food courts, cafeterias, airports, shopping malls, hospitals, colleges, and universities.
- Stacks for easy storage.
- Easy to clean with soap and water.
- Rated to 300 lbs. for safe use.

Product Specifications

| Product Description | Reference Number | Color | UPC Code 014306 | Weight Each (lbs.) | Master Pack | Master Pack Volume (cu. ft.) |
|----------------------|------------------|------------------|-----------------|--------------------|-------------|------------------------------|
| Tempo Stacking Chair | US210152 | Fern Green/White | 911830 | 14.10 | 12 | 47.80 |
| | US021152 | Fern Green/White | 911830 | 13.45 | 4 | 21.60 |
| | US210004 | White/White | 911847 | 14.10 | 12 | 47.80 |
| | US021004 | White/White | 911847 | 13.45 | 4 | 21.60 |
| | US214413 | Beige/Taupe | 911854 | 14.10 | 12 | 47.80 |
| | US021413 | Beige/Taupe | 911854 | 13.45 | 4 | 21.60 |
| | US210017 | Black/White | 911861 | 14.10 | 12 | 47.80 |
| | US021017 | Black/White | 911861 | 13.45 | 4 | 21.60 |
| | US210414 | Red/White | 911878 | 14.10 | 12 | 47.80 |
| | US021414 | Red/White | 911878 | 13.45 | 4 | 21.60 |
| <i>New Color!</i> | US210019 | Orange/White | 912004 | 14.10 | 12 | 47.80 |
| | US021019 | Orange/White | 912004 | 13.45 | 4 | 21.60 |