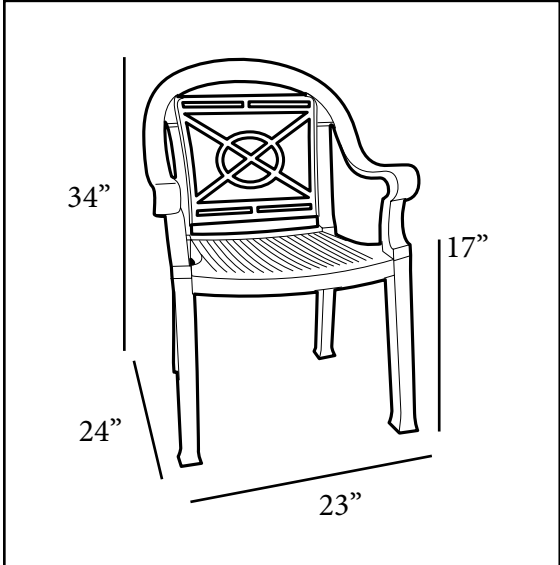




Sandstone Color Returns!

Victoria Classic Stacking Armchair



Passes ASTM F 1561-96 Class B performance standard for commercial outdoor seating

Features & Benefits **Warranty: 3 Yrs.**

- Elegant and comfortable highback armchair with a contoured back for indoor/outdoor dining areas.
- Made of Kevring® cast synthetic resin, a proprietary resin composite specifically developed to build functional yet durable commercial outdoor furniture with a true metal texture and design.
- Rated to 300 pounds for safe use in commercial environments.
- Will retain its original color, texture, and finish without rusting, even when exposed to the rigours of outdoor elements.
- 2" x 2" legs with hard wearing footpads for structural rigidity.
- Stacks for easy storage.

Product Specifications						
Product Description	Reference Number	Color	UPC Code 014306	Weight Each (lbs.)	Master Pack	Master Pack Volume (cu. ft.)
Victoria Classic Stacking Armchair	46214002	Charcoal	120911	11.00	12	40.67
	US214002	Charcoal	120911	11.00	4	20.90
	46214037	Bronze Mist	128191	11.00	12	40.67
	US214037	Bronze Mist	128191	11.00	4	20.90
	46214066	Sandstone	137513	11.00	12	40.67
	US214066	Sandstone	137513	11.00	4	20.90