

Grosfillex

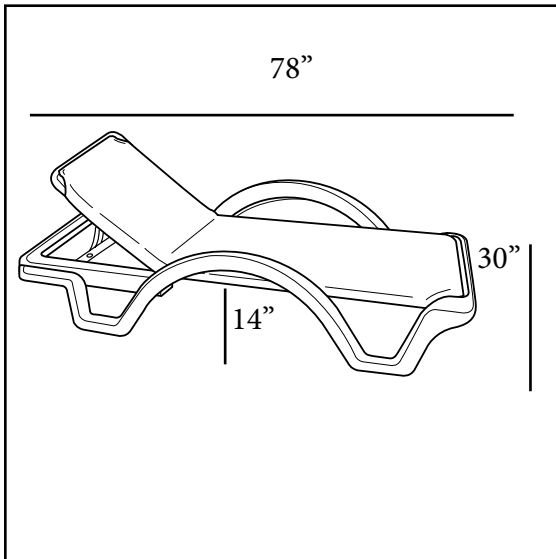
COMMERCIAL RESIN FURNITURE

Your best value for Food Service & Hospitality!

CATALINA Adjustable Sling Chaise with Arms

Ask about our custom sling chaise program!

Passes ASTM F1988-99 Class B performance standard for commercial outdoor lounging.



Features & Benefits

Warranty: 3 Yrs.

- Specifically made for commercial use.
- Designed for enduring comfort with a firm breathable and supportive commercial grade sling and 5-position adjustable back.
- Solid one-piece molded frame construction.
- Easy to replace sling fabric for repair or refurbishment
- Recessed wheels for ease of mobility.
- Woven vinyl coated polyester fabric for strength and color-fastness.
- Sanitized® mesh fabric for mildew resistance.
- Cleans easily with a solution of mild detergent (refer to our cleaning instructions).
- “Memory” sling and resin frame assembly by elastic cordage for excellent recovery and shape retention.
- Will stay cool in the hot sun.
- Rated to 300 pounds for safe use in commercial environment.
- Naturally impervious to salt air and most common stains.
- Stackable for easy storage.
- Fabric can be customized with property logo.
- Frame: 3 Year Commercial Warranty on Frame.
- Sling: 3 Years against tearing - 1 Year against discoloration by U.V. light.

Product Specifications

Product Description	Reference Number	Color	UPC Code	Weight Each (lbs.)	Master Pack	Master Pack Volume (cu. ft.)
<i>White Frame</i>	99202006	Blue	129426	35.00	14	98.36
	US202006	Blue	129426	38.50	2	34.32
	99215204	Fern Green	910796	35.00	14	98.36
	US215204	Fern Green	910796	38.50	2	34.32
	99224104	Turquoise	910802	35.00	14	98.36
	US224104	Turquoise	910802	38.50	2	34.32
<i>Sandstone Frame</i>	99218166	Taupe	910069	35.00	14	98.36
	US218166	Taupe	910069	38.50	2	34.32
	99255166	Natural	910079	35.00	14	98.36
	US255166	Natural	910079	38.50	2	34.32
<i>Custom White Frame</i>	99202099	Custom	N/A	35.00	14	98.36
<i>Custom Frame</i>	99202099	Custom	N/A	35.00	14	98.36