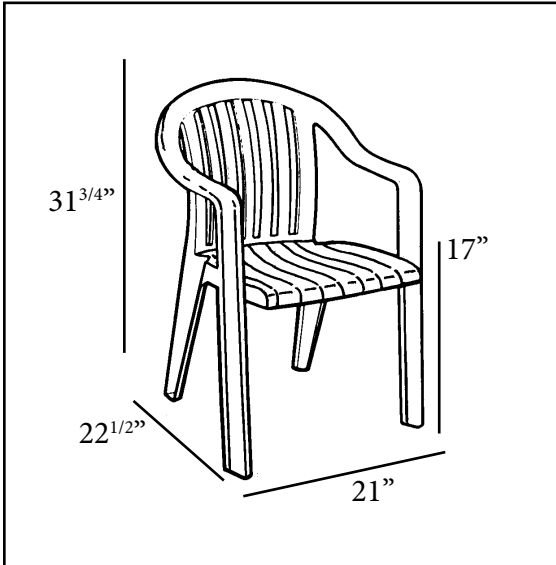




COMMERCIAL RESIN FURNITURE

Your best value for Food Service & Hospitality!

# Miami Lowback Stacking Armchair



Passes ASTM F 1561-96 Class B performance standard for commercial outdoor seating

**Features & Benefits** **Warranty: 3 Yrs.**

- Traditional-style monobloc with a solid track record for performance in food service areas.
- Rated to 300 pounds for safe use in commercial environments.
- Armchair made with prime synthetic resin with ultra-violet inhibitors; outstanding resistance to color fading and weather conditions.
- Impervious to salt air and most common stains.
- One-piece molded construction.
- Open back with flexible slats; wide and deep seating for maximum comfort.
- Stackable for easy storage.
- Ideal for outdoor terraces, poolside environments, and restaurants.

**Product Specifications**

Product Description	Reference Number	Color	UPC Code 014306	Weight Each (lbs.)	Master Pack	Master Pack Volume (cu. ft.)
Miami Lowback Stacking Armchair	US282304	White	100357	8.00	16	33.12
	US023004	White	100357	8.75	4	13.84
	US282366	Sandstone	100395	8.00	16	33.12
	US023066	Sandstone	100395	8.75	4	13.84
	US282378	Amazon Green	100418	8.00	16	33.12
	US023078	Amazon Green	100418	8.75	4	13.84