

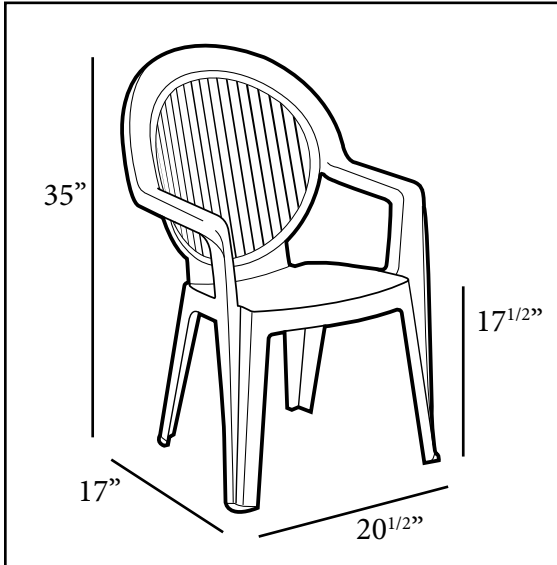


COMMERCIAL RESIN FURNITURE

Your best value for Food Service & Hospitality!

Fidji Club Highback Stacking Armchair

Passes ASTM F 1561-96 Class B performance standard for commercial outdoor seating



Features & Benefits **Warranty: 3 Yrs.**

- Comfortable highback armchair made of 100% solution-dyed prime resin, a material impervious to salt air, chlorine, and most common stains.
- Woodgrain with a matte finish.
- Rated to 300 pounds for safe use in commercial environments.
- Outstanding resistance to ultra-violet sun rays and to extreme weather conditions.
- Flexible support; fine back slats and wide deep seat for extra comfort.
- Stackable for easy storage.
- Easy to maintain; just a wet sponge and a mild, non-abrasive liquid detergent will restore this armchair to its original new look.
- Highly recommended for outdoor terraces and poolside environments.

Product Specifications						
Product Description	Reference Number	Color	UPC Code	Weight Each (lbs.)	Master Pack	Master Pack Volume (cu. ft.)
Fidji Club Highback Stacking Armchair	46322004	White	139098	7.67	24	33.74
	US322004	White	139098	8.64	4	14.04