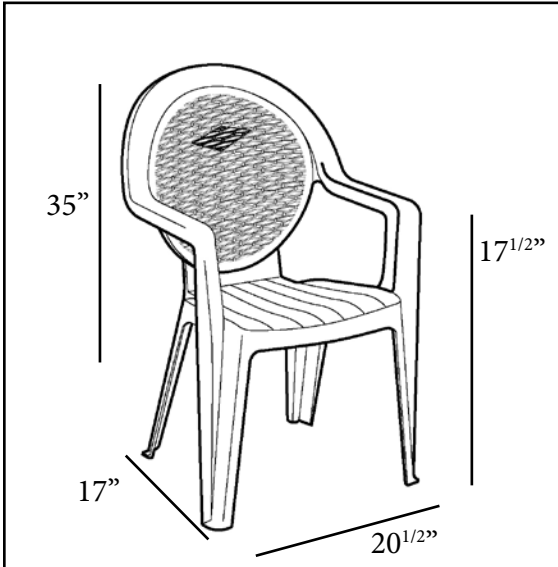




COMMERCIAL RESIN FURNITURE

Your best value for Food Service & Hospitality!



Trinidad Highback Stacking Armchair

Passes ASTM F 1561-96 Class B performance standard for commercial outdoor seating

Features & Benefits **Warranty: 3 Yrs.**

- Fine open wicker weave backrest captures cooling breeze.
- Woodgrain with a matte finish.
- Comfortable highback armchair.
- Rated to 300 lbs. for safe use in commercial environments.
- Stacks for easy storage.
- Made of 100% prime resin, a material impervious to salt air, chlorine and most common stains.
- U.V. resistant.
- Easy to clean with soap and water.

Product Specifications

Product Description	Reference Number	Color	UPC Code 014306	Weight Each (lbs.)	Master Pack	Master Pack Volume (cu. ft.)
Trinidad Highback Stacking Armchair	US421004	White	139218	7.67	24	33.74
	99421004	White	139218	8.64	4	14.04
	US421037	Bronze Mist	139104	7.67	24	33.74
	99421037	Bronze Mist	139104	8.64	4	14.04