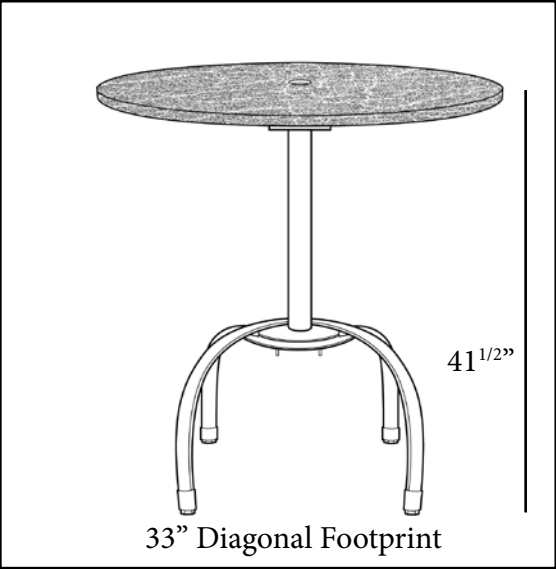




# Bar Height Tulip Table Base



**Features & Benefits** **Warranty: 2 Yrs.**

- Large Bar Height Table Base is Suitable for 32"-42" HPL or Molded Melamine Tabletops with or without Umbrella Hole.
- Specifically designed for indoor/outdoor hospitality & foodservice use.
- Design coordinates with Grosfillex® Aluminum Tilt Top dining table base.
- Heavy duty powder coated aluminum construction for weather resistance and structural integrity.
- Two adjustable leg levellers balance table base on uneven surfaces.
- Easy to assemble.
- Easy to secure with metal chain and padlock for storage.

<b>Product Specifications</b>						
Product Description	Reference Number	Color	UPC Code	Weight Each (lbs.)	Master Pack	Master Pack Volume (cu. ft.)
Bar Height Tulip Table Base	US528117	Black	141701	14.00	20	75.60
	99528117	Black	141701	15.00	2	19.20
	US528109	Silver Gray	141718	14.00	20	75.60
	99528109	Silver Gray	141718	15.00	2	19.20