

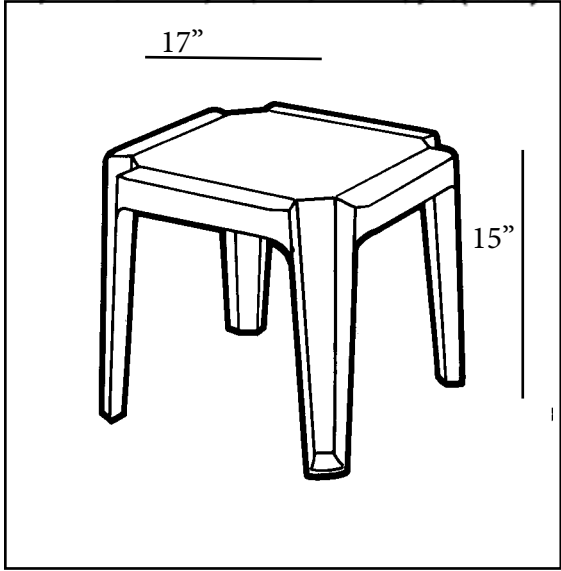


COMMERCIAL RESIN FURNITURE
Your best value for Food Service & Hospitality!

Charcoal Color Returns!

E
X
T
E
R
I
O
R

Miami 17" x 17" Stacking Low Table



Features & Benefits **Warranty: 1 Yr.**

- One piece molded construction.
- Constructed of 100% prime resin.
- Stacks for easy storage.
- U.V. stabilizers resist color fading and deterioration.
- Withstands extreme weather conditions, from cold winters to hot and humid summers.
- Stays cool to the touch in the hot sun.
- Cleans easily with soap and water.
- Complements Grosfillex chaises and chairs on balconies and pool decks.

| Product Specifications | | | | | | |
|---|------------------|-------------|----------|--------------------|-------------|------------------------------|
| Product Description | Reference Number | Color | UPC Code | Weight Each (lbs.) | Master Pack | Master Pack Volume (cu. ft.) |
| Miami 17" x 17" Low Table <i>Charcoal Returns!</i> | 52099004 | White | 209944 | 2.80 | 30 | 11.64 |
| | US529804 | White | 209944 | 3.17 | 6 | 4.13 |
| | 52099066 | Sandstone | 704258 | 2.80 | 30 | 11.64 |
| | US529866 | Sandstone | 704258 | 3.17 | 6 | 4.13 |
| | 52099037 | Bronze Mist | 136370 | 2.80 | 30 | 11.64 |
| | US529837 | Bronze Mist | 136370 | 3.17 | 6 | 4.13 |
| | US599902 | Charcoal | 124247 | 2.80 | 30 | 11.64 |
| | US529602 | Charcoal | 124247 | 3.17 | 6 | 4.13 |